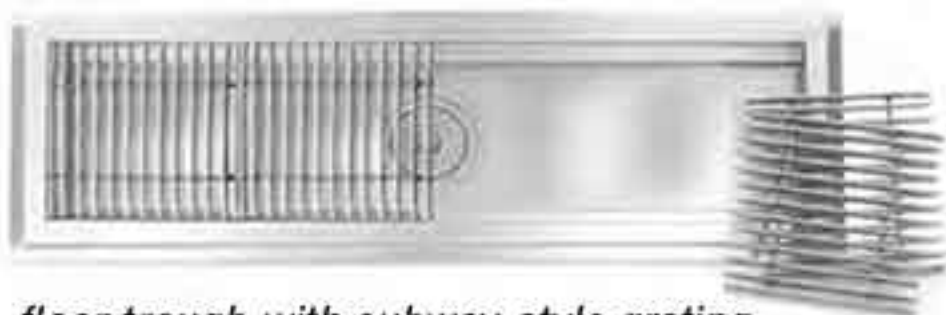
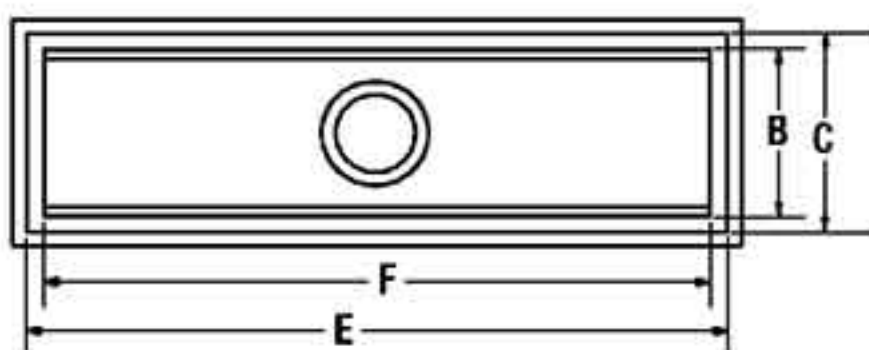


Floor Troughs

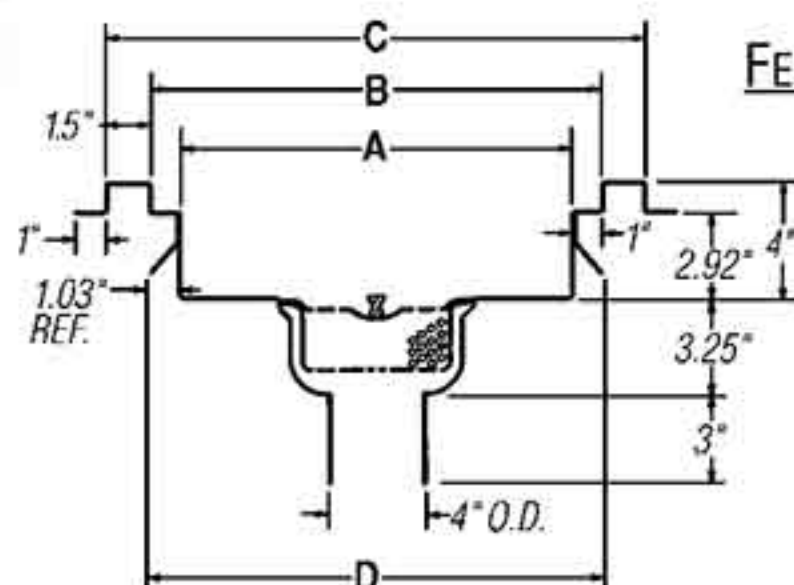
see spec sheet **EG25.00**



floor trough with subway-style grating



(see chart below for dimensions A through F)



FEATURES:

- Built-in pitch towards drain ensures complete drainage.
- Secured with anchor straps.
- Stainless steel drain accommodates up to a 4" (102mm) diameter pipe, and removable perforated stainless steel basket.
- Stainless steel subway-style grating or fiberglass grating.

Note: Custom sizes available. Contact factory for pricing.

Gray Fiberglass Grating available.
To order add suffix "G" to model #.
Example FT-1218-FGG.

Freight class is 85.0.

(•) MTS (made to stock) / () MTO (made to order)

...with Yellow Fiberglass Grating

Note: Wide T-Bar Fiberglass Grating* available (for fiberglass only). ADA-compliant! Wider T-bar width provides a more solid walking area, and prevents objects from falling through. Resistant to corrosion, skid, fire, chipping and cracking. To order, add 5% to list price and suffix "-ADA". Example: FT-1224-FG-ADA.

* Please note: Wide T-Bar "ADA" option is available only for troughs with fiberglass grating, not for troughs with stainless steel grating.

12" (305mm) WIDE TROUGHS	15" (381mm) WIDE TROUGHS	18" (457mm) WIDE TROUGHS	24" (610mm) WIDE TROUGHS
dimension A: 7" (178mm)	dimension A: 10" (254mm)	dimension A: 13" (330mm)	dimension A: 19" (483mm)
dimension B: 9" (229mm)	dimension B: 12" (305mm)	dimension B: 15" (381mm)	dimension B: 21" (533mm)
dimension C: 12" (305mm)	dimension C: 15" (381mm)	dimension C: 18" (457mm)	dimension C: 24" (610mm)
dimension D: 9.25" (235mm)	dimension D: 12.25" (311mm)	dimension D: 15.25" (387mm)	dimension D: 21.25" (540mm)

dimension E in. mm	dimension F in. mm	model #	model #	model #	model #
18" 457	15" 381	FT-1218-FG	-	-	-
24" 610	21" 533	FT-1224-FG	FT-1524-FG	FT-1824-FG	FT-2424-FG
30" 762	27" 686	FT-1230-FG	FT-1530-FG	FT-1830-FG	FT-2430-FG
36" 914	33" 838	FT-1236-FG	FT-1536-FG	FT-1836-FG	FT-2436-FG •
48" 1219	45" 1143	FT-1248-FG	FT-1548-FG	FT-1848-FG	FT-2448-FG
60" 1524	57" 1448	FT-1260-FG	FT-1560-FG	FT-1860-FG	FT-2460-FG
72" 1829	69" 1753	FT-1272-FG	FT-1572-FG	FT-1872-FG	FT-2472-FG
84" 2134	81" 2057	FT-1284-FG	FT-1584-FG	FT-1884-FG	FT-2484-FG
96" 2438	93" 2362	FT-1296-FG	FT-1596-FG	FT-1896-FG	FT-2496-FG
120" 3048	117" 2972	FT-12120-FG	FT-15120-FG	FT-18120-FG	FT-24120-FG

...with Subway-Style Stainless Steel Grating

12" (305mm) WIDE TROUGHS	15" (381mm) WIDE TROUGHS	18" (457mm) WIDE TROUGHS	24" (610mm) WIDE TROUGHS
dimension A: 7" (178mm)	dimension A: 10" (254mm)	dimension A: 13" (330mm)	dimension A: 19" (483mm)
dimension B: 9" (229mm)	dimension B: 12" (305mm)	dimension B: 15" (381mm)	dimension B: 21" (533mm)
dimension C: 12" (305mm)	dimension C: 15" (381mm)	dimension C: 18" (457mm)	dimension C: 24" (610mm)
dimension D: 9.25" (235mm)	dimension D: 12.25" (311mm)	dimension D: 15.25" (387mm)	dimension D: 21.25" (540mm)

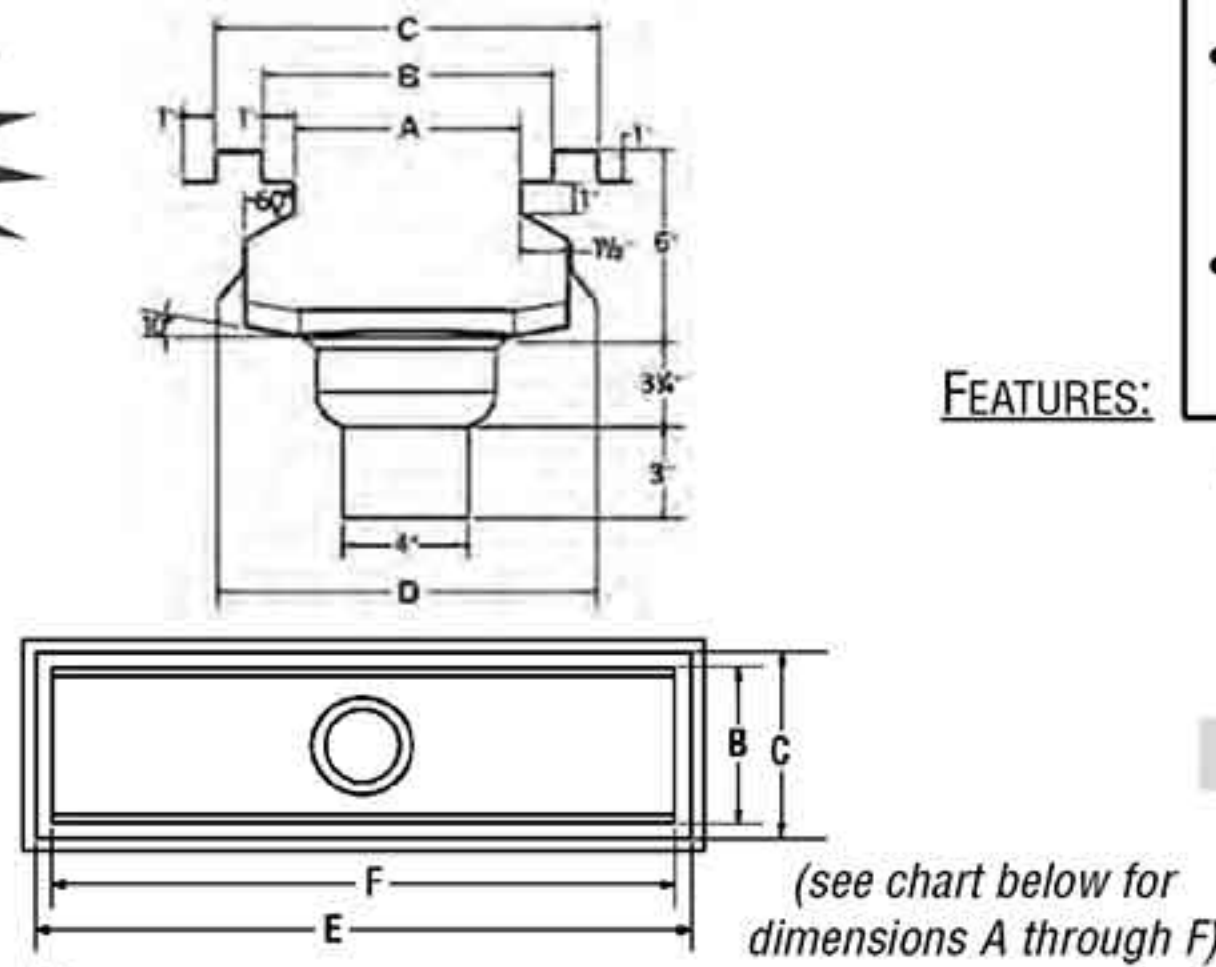
dimension E in. mm	dimension F in. mm	model #	model #	model #	model #
18" 457	15" 381	FT-1218-SG	-	-	-
24" 610	21" 533	FT-1224-SG •	FT-1524-SG	FT-1824-SG •	FT-2424-SG
30" 762	27" 686	FT-1230-SG	FT-1530-SG	FT-1830-SG	FT-2430-SG
36" 914	33" 838	FT-1236-SG •	FT-1536-SG	FT-1836-SG •	FT-2436-SG •
48" 1219	45" 1143	FT-1248-SG •	FT-1548-SG	FT-1848-SG	FT-2448-SG
60" 1524	57" 1448	FT-1260-SG	FT-1560-SG	FT-1860-SG	FT-2460-SG
72" 1829	69" 1753	FT-1272-SG	FT-1572-SG	FT-1872-SG	FT-2472-SG
84" 2134	81" 2057	FT-1284-SG	FT-1584-SG	FT-1884-SG	FT-2484-SG
96" 2438	93" 2362	FT-1296-SG	FT-1596-SG	FT-1896-SG	FT-2496-SG
120" 3048	117" 2972	FT-12120-SG	FT-15120-SG	FT-18120-SG	FT-24120-SG

Anti-Splash Floor Troughs NSF

see spec sheet **EG25.01**



"Anti-Splash" design assures complete drainage while preventing splashing back onto the floor.



FEATURES:

- Built-in pitch towards drain ensures complete drainage.
- Secured with anchor straps.
- Stainless steel drain accommodates up to a 4" (102mm) diameter pipe, and removable perforated stainless steel basket.
- Stainless steel subway-style grating or fiberglass grating.

Note: Custom sizes available. Contact factory for pricing.

Gray Fiberglass Grating available.
To order add suffix "G" to model #.
Example ASFT-1218-FGG.

Freight class is 85.0.

...with Yellow Fiberglass Grating

Note: Wide T-Bar* Fiberglass Grating available. ADA-compliant! Wider T-bar width provides a more solid walking area, and prevents objects from falling through. Resistant to corrosion, skid, fire, chipping and cracking.

* Please note: Wide T-Bar "ADA" option is available only for troughs with fiberglass grating, not for troughs with stainless steel grating.

dimension E		dimension F		12" (305mm) WIDE TROUGHS	15" (381mm) WIDE TROUGHS	18" (457mm) WIDE TROUGHS	24" (610mm) WIDE TROUGHS
in.	mm	in.	mm	dimension A: 7" (178mm) dimension B: 9" (229mm) dimension C: 12" (305mm) dimension D: 11.25" (286mm)	dimension A: 10" (254mm) dimension B: 12" (305mm) dimension C: 15" (381mm) dimension D: 14.25" (362mm)	dimension A: 13" (330mm) dimension B: 15" (381mm) dimension C: 18" (457mm) dimension D: 17.25" (438mm)	dimension A: 19" (483mm) dimension B: 21" (533mm) dimension C: 24" (610mm) dimension D: 23.25" (591mm)
model #		model #		model #		model #	
18"	457	15"	381	ASFT-1218-FG	-	-	-
24"	610	21"	533	ASFT-1224-FG	ASFT-1524-FG	ASFT-1824-FG	ASFT-2424-FG
30"	762	27"	686	ASFT-1230-FG	ASFT-1530-FG	ASFT-1830-FG	ASFT-2430-FG
36"	914	33"	838	ASFT-1236-FG	ASFT-1536-FG	ASFT-1836-FG	ASFT-2436-FG
48"	1219	45"	1143	ASFT-1248-FG	ASFT-1548-FG	ASFT-1848-FG	ASFT-2448-FG
60"	1524	57"	1448	ASFT-1260-FG	ASFT-1560-FG	ASFT-1860-FG	ASFT-2460-FG
72"	1829	69"	1753	ASFT-1272-FG	ASFT-1572-FG	ASFT-1872-FG	ASFT-2472-FG
84"	2134	81"	2057	ASFT-1284-FG	ASFT-1584-FG	ASFT-1884-FG	ASFT-2484-FG
96"	2438	93"	2362	ASFT-1296-FG	ASFT-1596-FG	ASFT-1896-FG	ASFT-2496-FG
120"	3048	117"	2972	ASFT-12120-FG	ASFT-15120-FG	ASFT-18120-FG	ASFT-24120-FG

...with Subway-Style Stainless Steel Grating

dimension E		dimension F		12" (305mm) WIDE TROUGHS	15" (381mm) WIDE TROUGHS	18" (457mm) WIDE TROUGHS	24" (610mm) WIDE TROUGHS
in.	mm	in.	mm	dimension A: 7" (178mm) dimension B: 9" (229mm) dimension C: 12" (305mm) dimension D: 11.25" (286mm)	dimension A: 10" (254mm) dimension B: 12" (305mm) dimension C: 15" (381mm) dimension D: 14.25" (362mm)	dimension A: 13" (330mm) dimension B: 15" (381mm) dimension C: 18" (457mm) dimension D: 17.25" (438mm)	dimension A: 19" (483mm) dimension B: 21" (533mm) dimension C: 24" (610mm) dimension D: 23.25" (591mm)
model #		model #		model #		model #	
18"	457	15"	381	ASFT-1218-SG	-	-	-
24"	610	21"	533	ASFT-1224-SG	ASFT-1524-SG	ASFT-1824-SG	ASFT-2424-SG
30"	762	27"	686	ASFT-1230-SG	ASFT-1530-SG	ASFT-1830-SG	ASFT-2430-SG
36"	914	33"	838	ASFT-1236-SG	ASFT-1536-SG	ASFT-1836-SG	ASFT-2436-SG
48"	1219	45"	1143	ASFT-1248-SG	ASFT-1548-SG	ASFT-1848-SG	ASFT-2448-SG
60"	1524	57"	1448	ASFT-1260-SG	ASFT-1560-SG	ASFT-1860-SG	ASFT-2460-SG
72"	1829	69"	1753	ASFT-1272-SG	ASFT-1572-SG	ASFT-1872-SG	ASFT-2472-SG
84"	2134	81"	2057	ASFT-1284-SG	ASFT-1584-SG	ASFT-1884-SG	ASFT-2484-SG
96"	2438	93"	2362	ASFT-1296-SG	ASFT-1596-SG	ASFT-1896-SG	ASFT-2496-SG
120"	3048	117"	2972	ASFT-12120-SG	ASFT-15120-SG	ASFT-18120-SG	ASFT-24120-SG

Catalog Section 20

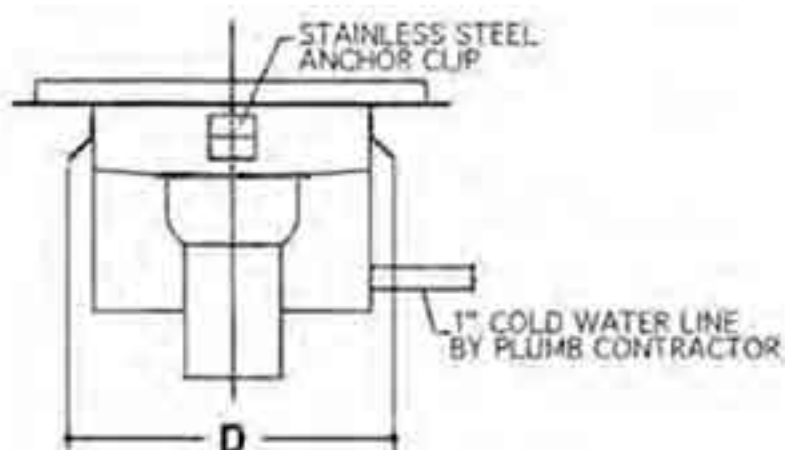
Cool Trough® Water Tempering Systems (NSF)

see product announcements **EG8138A** **EG8138B**



#WTFT-1215-FGG
Cool Trough®

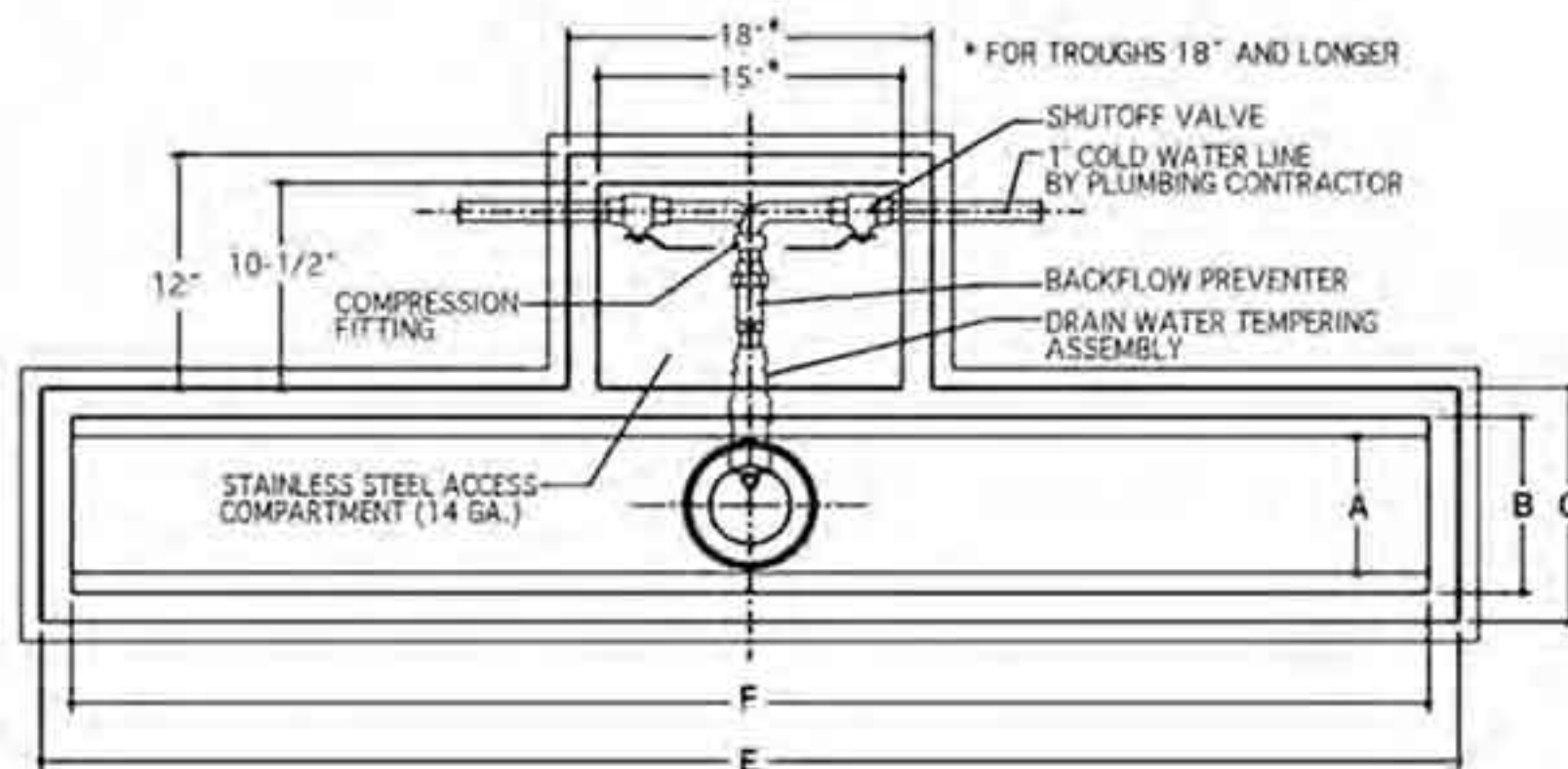
PATENTED!
(patent #9,588,525)



FEATURES:

- Integral mechanical temperature sensor maintains water temperature of 130°F or less.
- Built-in pitch towards drain ensures complete drainage.
- No electrical connection required.

Freight class is 85.0.



(see chart below for dimensions A through F)

...with Gray Fiberglass Grating

dimension E in.	dimension F mm	dimension E in.	dimension F mm	model #	model #	model #	model #
15"	381	12"	305	WTFT-1215-FGG	-	-	-
18"	457	15"	381	WTFT-1218-FGG	WTFT-1518-FGG	-	-
24"	610	21"	533	WTFT-1224-FGG	WTFT-1524-FGG	WTFT-1824-FGG	WTFT-2424-FGG
30"	762	27"	686	WTFT-1230-FGG	WTFT-1530-FGG	WTFT-1830-FGG	WTFT-2430-FGG
36"	914	33"	838	WTFT-1236-FGG	WTFT-1536-FGG	WTFT-1836-FGG	WTFT-2436-FGG
48"	1219	45"	1143	WTFT-1248-FGG	WTFT-1548-FGG	WTFT-1848-FGG	WTFT-2448-FGG
60"	1524	57"	1448	WTFT-1260-FGG	WTFT-1560-FGG	WTFT-1860-FGG	WTFT-2460-FGG
72"	1829	69"	1753	WTFT-1272-FGG	WTFT-1572-FGG	WTFT-1872-FGG	WTFT-2472-FGG
84"	2134	81"	2057	WTFT-1284-FGG	WTFT-1584-FGG	WTFT-1884-FGG	WTFT-2484-FGG
96"	2438	93"	2362	WTFT-1296-FGG	WTFT-1596-FGG	WTFT-1896-FGG	WTFT-2496-FGG

...with Subway-Style Stainless Steel Grating

dimension E in.	dimension F mm	dimension E in.	dimension F mm	model #	model #	model #	model #
15"	381	12"	305	WTFT-1215-SG	-	-	-
18"	457	15"	381	WTFT-1218-SG	WTFT-1518-SG	-	-
24"	610	21"	533	WTFT-1224-SG	WTFT-1524-SG	WTFT-1824-SG	WTFT-2424-SG
30"	762	27"	686	WTFT-1230-SG	WTFT-1530-SG	WTFT-1830-SG	WTFT-2430-SG
36"	914	33"	838	WTFT-1236-SG	WTFT-1536-SG	WTFT-1836-SG	WTFT-2436-SG
48"	1219	45"	1143	WTFT-1248-SG	WTFT-1548-SG	WTFT-1848-SG	WTFT-2448-SG
60"	1524	57"	1448	WTFT-1260-SG	WTFT-1560-SG	WTFT-1860-SG	WTFT-2460-SG
72"	1829	69"	1753	WTFT-1272-SG	WTFT-1572-SG	WTFT-1872-SG	WTFT-2472-SG
84"	2134	81"	2057	WTFT-1284-SG	WTFT-1584-SG	WTFT-1884-SG	WTFT-2484-SG
96"	2438	93"	2362	WTFT-1296-SG	WTFT-1596-SG	WTFT-1896-SG	WTFT-2496-SG

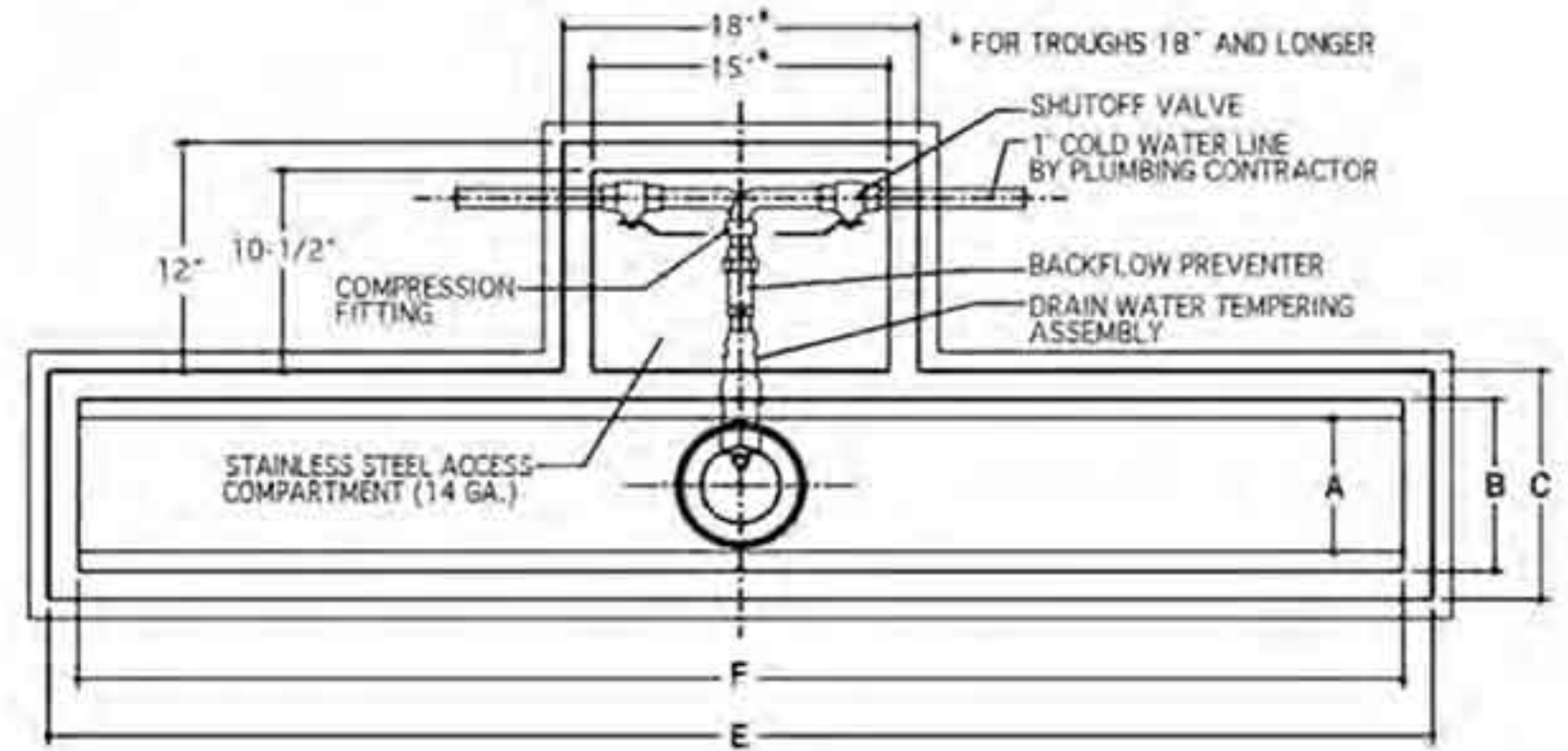
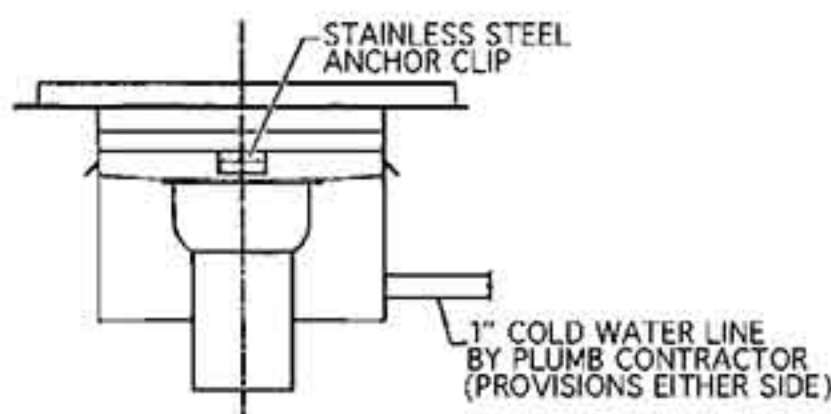
Anti-Splash Cool Trough® Water Tempering Systems

see product announcements **EG8138C** **EG8138D**



#ASWTFT-1215-FGG
Cool Trough®

PATENTED!
(patent #9,588,525)



(see chart below for dimensions A through F)

- Integral mechanical temperature sensor maintains water temperature of 130°F or less.
- Built-in pitch towards drain ensures complete drainage.
- No electrical connection required.

FEATURES:

Freight class is 85.0.

...with Gray Fiberglass Grating

dimension E in.	dimension F in.	12" (305mm) WIDE TROUGHS dimension A: 7" (178mm) dimension B: 9" (229mm) dimension C: 12" (305mm) dimension D: 9.25" (235mm)	15" (381mm) WIDE TROUGHS dimension A: 10" (254mm) dimension B: 12" (305mm) dimension C: 15" (381mm) dimension D: 12.25" (311mm)	18" (457mm) WIDE TROUGHS dimension A: 13" (330mm) dimension B: 15" (381mm) dimension C: 18" (457mm) dimension D: 15.25" (387mm)	24" (610mm) WIDE TROUGHS dimension A: 19" (483mm) dimension B: 21" (533mm) dimension C: 24" (610mm) dimension D: 21.25" (540mm)
15"	12"	ASWTFT-1215-FGG	-	-	-
18"	15"	ASWTFT-1218-FGG	ASWTFT-1518-FGG	-	-
24"	21"	ASWTFT-1224-FGG	ASWTFT-1524-FGG	ASWTFT-1824-FGG	ASWTFT-2424-FGG
30"	27"	ASWTFT-1230-FGG	ASWTFT-1530-FGG	ASWTFT-1830-FGG	ASWTFT-2430-FGG
36"	33"	ASWTFT-1236-FGG	ASWTFT-1536-FGG	ASWTFT-1836-FGG	ASWTFT-2436-FGG
48"	45"	ASWTFT-1248-FGG	ASWTFT-1548-FGG	ASWTFT-1848-FGG	ASWTFT-2448-FGG
60"	57"	ASWTFT-1260-FGG	ASWTFT-1560-FGG	ASWTFT-1860-FGG	ASWTFT-2460-FGG
72"	69"	ASWTFT-1272-FGG	ASWTFT-1572-FGG	ASWTFT-1872-FGG	ASWTFT-2472-FGG
84"	81"	ASWTFT-1284-FGG	ASWTFT-1584-FGG	ASWTFT-1884-FGG	ASWTFT-2484-FGG
96"	93"	ASWTFT-1296-FGG	ASWTFT-1596-FGG	ASWTFT-1896-FGG	ASWTFT-2496-FGG

...with Subway-Style Stainless Steel Grating

dimension E in.	dimension F in.	model #	list	model #	list	model #	list	model #	list
15"	12"	ASWTFT-1215-SG		-		-		-	
18"	15"	ASWTFT-1218-SG		ASWTFT-1518-SG		-		-	
24"	21"	ASWTFT-1224-SG		ASWTFT-1524-SG		ASWTFT-1824-SG		ASWTFT-2424-SG	
30"	27"	ASWTFT-1230-SG		ASWTFT-1530-SG		ASWTFT-1830-SG		ASWTFT-2430-SG	
36"	33"	ASWTFT-1236-SG		ASWTFT-1536-SG		ASWTFT-1836-SG		ASWTFT-2436-SG	
48"	45"	ASWTFT-1248-SG		ASWTFT-1548-SG		ASWTFT-1848-SG		ASWTFT-2448-SG	
60"	57"	ASWTFT-1260-SG		ASWTFT-1560-SG		ASWTFT-1860-SG		ASWTFT-2460-SG	
72"	69"	ASWTFT-1272-SG		ASWTFT-1572-SG		ASWTFT-1872-SG		ASWTFT-2472-SG	
84"	81"	ASWTFT-1284-SG		ASWTFT-1584-SG		ASWTFT-1884-SG		ASWTFT-2484-SG	
96"	93"	ASWTFT-1296-SG		ASWTFT-1596-SG		ASWTFT-1896-SG		ASWTFT-2496-SG	

Replacement Subway-Style Grating for Floor Troughs and Drains ^(NSF)

see spec sheet **EG25.02**

Freight class is 85.0.

Stainless Steel Grating

- Constructed of 5/16" x 1" (5 x 25mm) vertically positioned bars, spaced 1" (25mm) apart to allow ease of drainage.
- 13/16" (21mm) clearance between bars prevents casters on mobile equipment from wedging in grate.
- Two 5/16" (8mm) rods, set 2 1/4" (57mm) in from each edge, are welded to the bars to eliminate swaying.
- Standard on floor troughs.
- Sizes available fit floor drains up to 24" (610mm) wide.
- Grates 12" and 15" (305 and 381mm) wide feature three rods.
- Grates 21" (533mm) wide feature five rods.



for floor trough widths		grate width x length		model #
in.	mm	in.	mm	
12"	305	9" x 7 1/2"	229 x 191	341169
12"	305	9" x 9"	229 x 229	341117
12"	305	9" x 12"	229 x 305	341123
15"	381	12" x 9"	305 x 229	340992
15"	381	12" x 12"	305 x 305	331006
18"	457	15" x 6"	381 x 154	341330
18"	457	15" x 7 1/2"	381 x 191	341110
18"	457	15" x 9"	381 x 229	341113
18"	457	15" x 12"	381 x 305	336992
18"	457	15" x 15"	381 x 381	345934
24"	610	21" x 9"	533 x 229	341109
24"	610	21" x 11"	533 x 279	351572
24"	610	21" x 12"	533 x 305	336976

Wide "T" Bar Fiberglass Grating — ADA-compliant!

- Conforms with the Americans with Disabilities Act for use with the physically handicapped.
- Provides a more solid walking area than traditional "T" bar shape, and prevents objects from falling through grating.
- Corrosion-, skid- and fire-resistant.
- High strength, low thermal conductivity.
- Resistant to chipping and cracking.
- Temperature rating of 250°F.



Fiberglass Grating

- Constructed of 1" (25mm) high yellow or gray polyester material with a non-slip grit on top surface.
- Tapered "I" beam construction for ease of cleaning and draining.
- Temperature rating of 250°F.
- Other sizes available—consult factory.



GRAY OR YELLOW

for floor trough widths		grate width x length		Gray
in.	mm	in.	mm	model #
12"	305	9" x 9"	229 x 229	370000
12"	305	9" x 12"	229 x 305	370001
12"	305	9" x 15"	229 x 381	370002
15"	381	12" x 9"	305 x 229	370003
15"	381	12" x 12"	305 x 305	370004
18"	457	15" x 9"	381 x 229	370005
18"	457	15" x 12"	381 x 305	370006
18"	457	15" x 15"	381 x 381	370007
24"	610	21" x 9"	533 x 229	370008
24"	610	21" x 12"	533 x 305	370009

for floor trough widths		grate width x length		Yellow	Gray
in.	mm	in.	mm	model #	model #
12"	305	9" x 9"	229 x 229	362648	374015
12"	305	9" x 12"	229 x 305	362647	374018
12"	305	9" x 15"	229 x 381	373030	374021
15"	381	12" x 9"	305 x 229	362650	374044
15"	381	12" x 12"	305 x 305	362649	374047
18"	457	15" x 9"	381 x 229	362652	374073
18"	457	15" x 12"	381 x 305	362651	374076
18"	457	15" x 15"	381 x 381	373206	374079
24"	610	21" x 9"	533 x 229	362654	374102
24"	610	21" x 12"	533 x 305	362653	374105

Floor Drains

see spec sheet **EG25.00**

FEATURES:

- Perforated waste cup can be inverted to double as a bee hive strainer.
- Yellow fiberglass grating or subway-style stainless steel grating.

Note: Gray Fiberglass Grating available. To order add suffix "G" to model #. Example FD-FGG.

Freight class is 85.0.

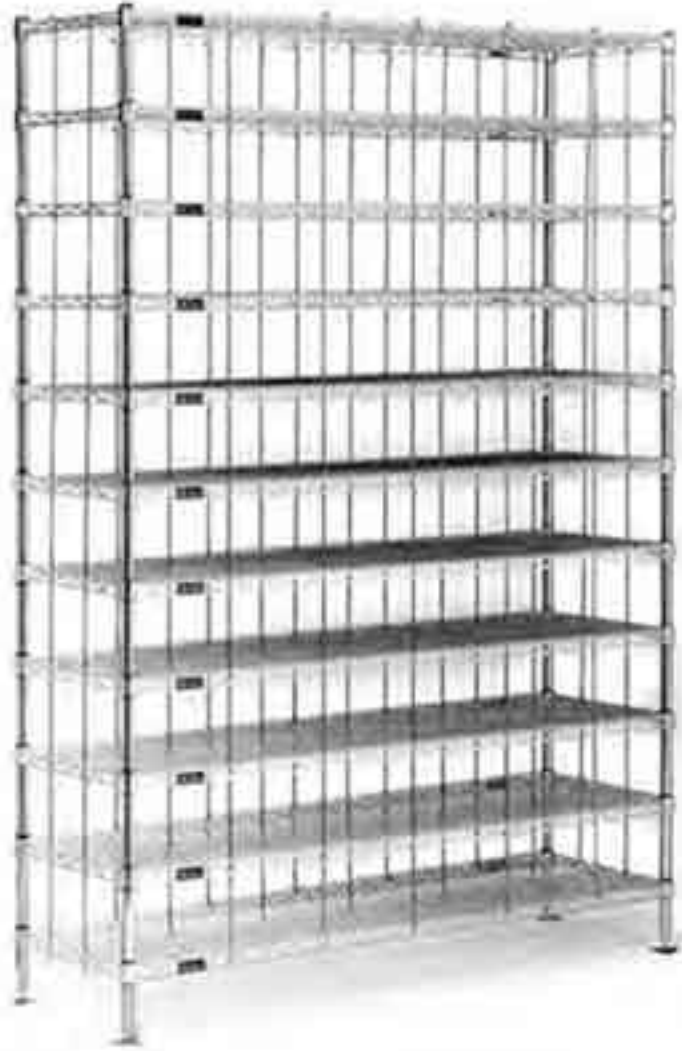


description	width x length in. mm	model #
with yellow fiberglass grating	12" x 12" 305 x 305	FD-FG
with subway-style grating	12" x 12" 305 x 305	FD-SG

Note: Floor opening = 11 1/2" x 11 1/2" (292 x 292)

Shoe Racks

see spec sheet **EG04.09**



patented
QuadTruss®
design

(Patent #5,390,803)

Wire shelves offer the optimum combination of laminar flow and ventilation for the storage of cleanroom shoes.

FEATURES:

- Rods & tabs run through the shelves to create the cubbies for each pair of shoes.
- Shoe racks may be configured in chrome plated as well as electropolished stainless steel.
- Foot plates are included for fastening to the floor.
- 86" (2184mm) post height.

Note: Optional snap-on plastic label holders are available for identification of each cubby.

Freight class is 70.0.

	length*		weight		cu ft	# of cubbies	cubby size width x height		chrome model #	stainless steel model #
	in.	mm	lbs.	kg			in.	mm		
14" width (356mm)	60"	1524	190	86.2	15	60	10" x 6½"	254 x 165	SR1460C	SR1460S
	72"	1829	220	99.8	18	80	9" x 6½"	229 x 165	SR1472C	SR1472S

*Available in any shelf length. For information on shelf lengths, see "Wire Shelves," page 6.

Roll Bag Dispensers

see spec sheet **EG04.00**



An effective means for dispensing rolls of bags, film, or tube stock. An easy way to establish protocol by avoiding inadvertent mixing of non-compatible chemicals.

FEATURES:

- Two 14" x 48" (356 x 1219mm) wire shelves.
- Eight removable dispensing bars.
- One 3-sided channel frame.
- Four 74" (1829mm) posts with 30" (762mm) outrigger feet for stability.
- Dispensing bars are adjustable on 1" (25mm) increments.
- Custom sizes available.

Freight class is 70.0.

60-lb. weight capacity per bar!

overall width x length		shelf width x length		weight		cu ft	chrome model #	stainless steel model #
in.	mm	in.	mm	lbs.	kg			
30" x 48"	762 x 1219	14" x 48"	356 x 1219	79	35.8	2.3	BD1448C	BD1448S

Not recommended on casters.