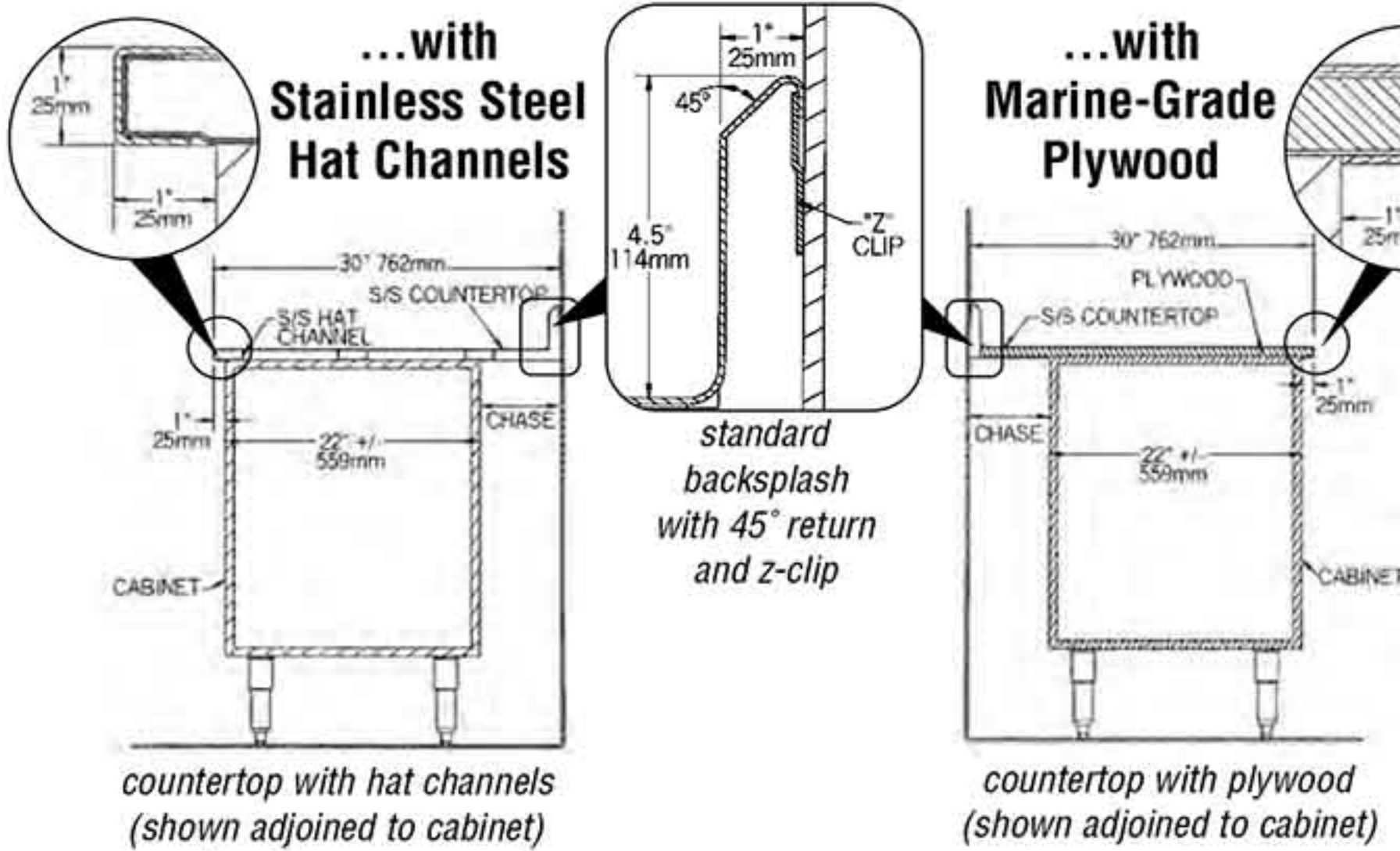
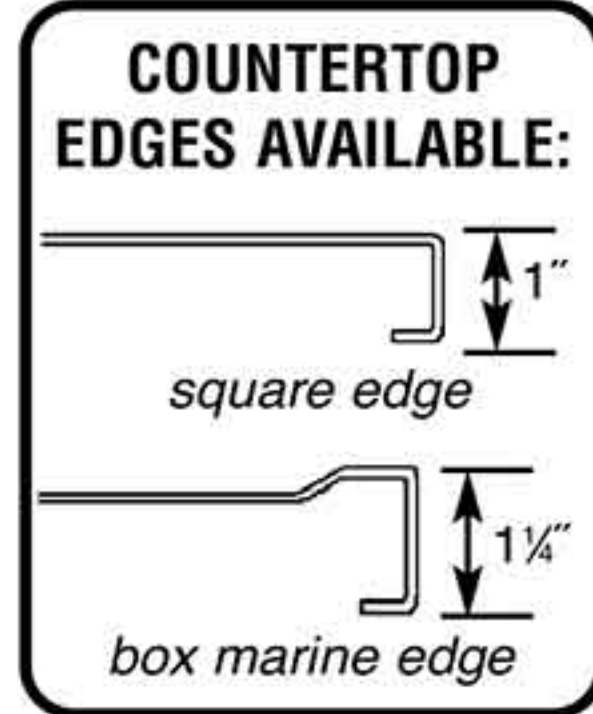


Stainless Steel Countertops

see spec sheet **EG04.12**



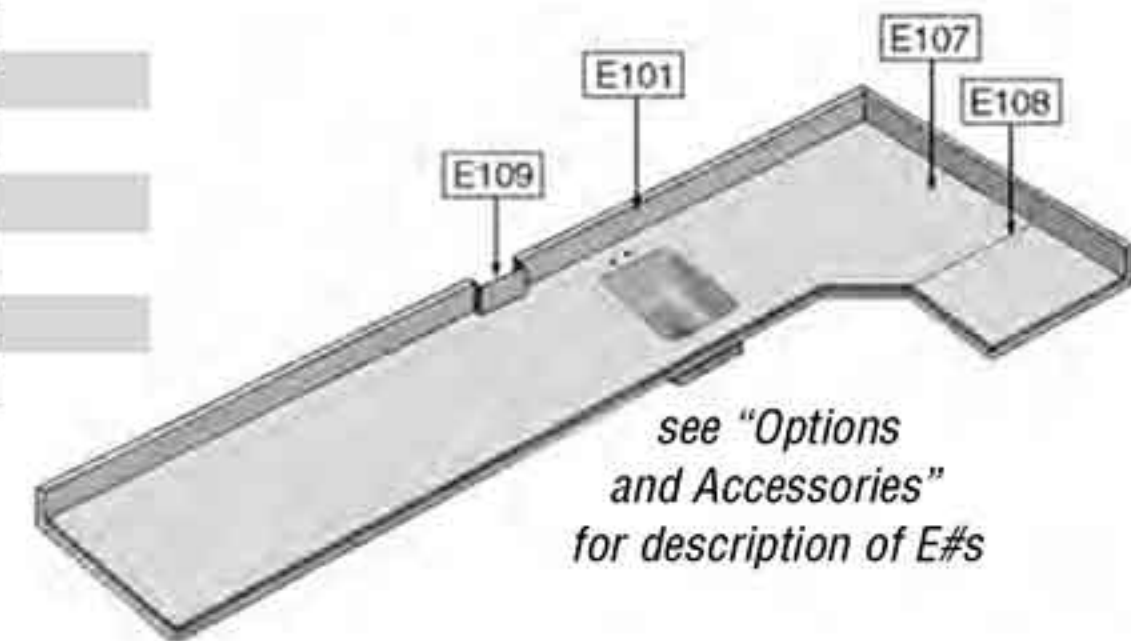
- Countertops for cabinet base (*by others*) are 16 gauge type 304 stainless steel with a #4 finish.
- All countertops are 30" (762mm) front-to-back and include 4½" x 1" (114 x 25mm) backplash with 45° return and z-clip(s).
- Custom configurations also available. Consult factory.



Countertops with Stainless Steel Hat Channels

Countertops with Marine-Grade Plywood

length in.	mm	with square edge model #	with box marine edge model #	with square edge model #	with box marine edge model #
24"	610	CTC3024-SQ	CTC3024-BM	CTW3024-SQ	CTW3024-BM
30"	762	CTC3030-SQ	CTC3030-BM	CTW3030-SQ	CTW3030-BM
36"	914	CTC3036-SQ	CTC3036-BM	CTW3036-SQ	CTW3036-BM
42"	1067	CTC3042-SQ	CTC3042-BM	CTW3042-SQ	CTW3042-BM
48"	1219	CTC3048-SQ	CTC3048-BM	CTW3048-SQ	CTW3048-BM
54"	1372	CTC3054-SQ	CTC3054-BM	CTW3054-SQ	CTW3054-BM
60"	1524	CTC3060-SQ	CTC3060-BM	CTW3060-SQ	CTW3060-BM
66"	1676	CTC3066-SQ	CTC3066-BM	CTW3066-SQ	CTW3066-BM
72"	1829	CTC3072-SQ	CTC3072-BM	CTW3072-SQ	CTW3072-BM
78"	1981	CTC3078-SQ	CTC3078-BM	CTW3078-SQ	CTW3078-BM
84"	2134	CTC3084-SQ	CTC3084-BM	CTW3084-SQ	CTW3084-BM
90"	2286	CTC3090-SQ	CTC3090-BM	CTW3090-SQ	CTW3090-BM
96"	2438	CTC3096-SQ	CTC3096-BM	CTW3096-SQ	CTW3096-BM
102"	2591	CTC30102-SQ	CTC30102-BM	CTW30102-SQ	CTW30102-BM
108"	2743	CTC30108-SQ	CTC30108-BM	CTW30108-SQ	CTW30108-BM
114"	2896	CTC30114-SQ	CTC30114-BM	CTW30114-SQ	CTW30114-BM
120"	3048	CTC30120-SQ	CTC30120-BM	CTW30120-SQ	CTW30120-BM
126"	3200	CTC30126-SQ	CTC30126-BM	CTW30126-SQ	CTW30126-BM
132"	3353	CTC30132-SQ	CTC30132-BM	CTW30132-SQ	CTW30132-BM
138"	3505	CTC30138-SQ	CTC30138-BM	CTW30138-SQ	CTW30138-BM
144"	3658	CTC30144-SQ	CTC30144-BM	CTW30144-SQ	CTW30144-BM



Options and Accessories

model #	description
E101	10" (254mm) high backplash, per linear foot
E107	90° corner
E108	Welded field joint
E109	Cutout for pipes, columns
E37	NSF sprayed-on sound deadening - up to 12' (3658mm)
E37A	Sound deadening, for each additional ft.
Type 316 S/S	Add per countertop/item

Optional Drawn Bowl Sinks with Faucet & Basket Drain

model #	description
E20	14" x 10" x 9½" (356 x 254 x 241mm)
E21	16" x 14" x 9½" (406 x 356 x 241mm)
E22	20" x 16" x 8" (508 x 406 x 203mm)
E23	20" x 16" x 14" (508 x 406 x 356mm)
E24	20" x 18" x 14" (508 x 457 x 356mm)
E24A	20" x 20" x 14" (508 x 508 x 356mm)
E25	24" x 24" x 14" (610 x 610 x 356mm)

Catalog Section 4

EAGLE offers gowning racks that incorporate wire shelving components with specially designed gown storage options. They offer a more economical rack option in less demanding environments in chrome plated steel as well as electropolished stainless steel models.

Freestanding Gowning Racks with Wire Shelving Components

see spec sheet **EG04.01B**

FEATURES:

- 86" (2184mm) height.
- Wire shelf features QuadTruss® Design. Patent #5,390,803.

Note: See each model for spacing centers.

Freight class is 70.0.

with Hanger Slots

- Hanger slots on standard 2½" (64mm) centers.
- Custom spacing available.
- Prices do not include hangers – see page 100 for optional hangers.

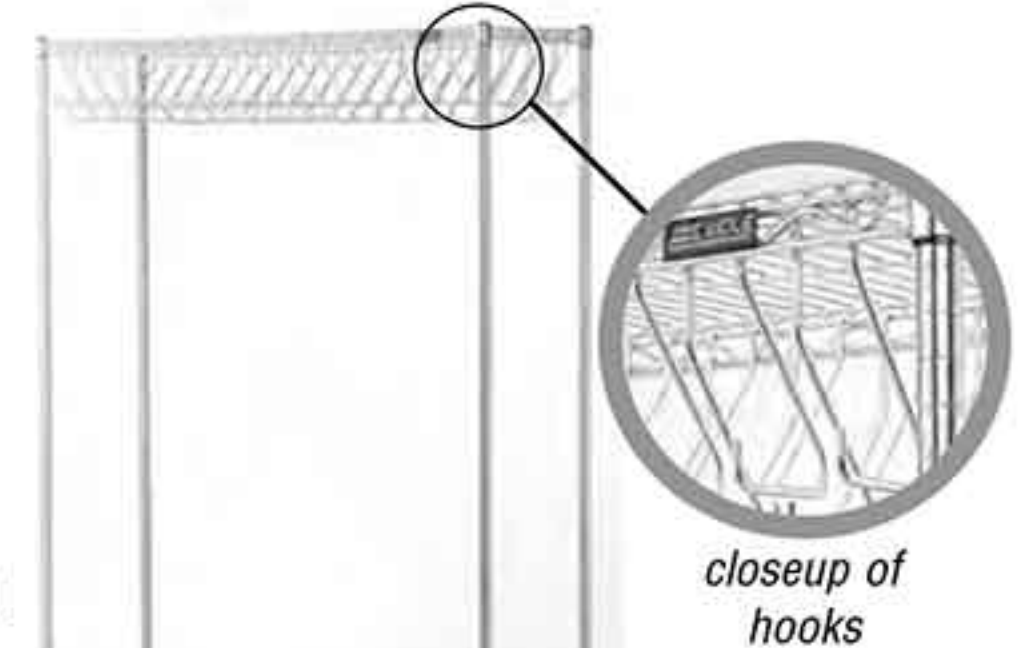
	length		weight		cubic feet	number of hanger slots	electropolished	chrome
	in.	mm	lbs.	kg			model #	model #
24" width	48"	1219	30	13.6	5.4	17	EP2448-GR	C2448-GR
	60"	1524	37	16.8	6.5	22	EP2460-GR	C2460-GR
(610mm)	72"	1829	40	18.1	7.0	27	EP2472-GR	C2472-GR



Optional Keeper Bars for above Gowning Racks

- Makes hangers non-removable.

length	number of hanger slots	electropolished model #	chrome model #
48"	17	KB48-EP	KB48-C
60"	22	KB60-EP	KB60-C
72"	27	KB72-EP	KB72-C



with Hooks

- Hooks welded on all four shelf sides are spaced on 1½" (38mm) centers and are staggered 1" (25mm) vertically hook-to-hook for ease of access.

	length		weight		cubic feet	number of hooks	electropolished	chrome
	in.	mm	lbs.	kg			model #	model #
14" width	48"	1219	56	25.4	5.4	72	EP1448-GRH	C1448-GRH
	60"	1524	68	30.8	6.5	88	EP1460-GRH	C1460-GRH
(356mm)	72"	1829	80	36.3	7.0	104	EP1472-GRH	C1472-GRH

gowning rack – freestanding with hooks

with Hanger Tube

- 1" (25mm) diameter tubular bar which easily mounts to underside of wire shelf.
- Facilitates laminar flow.
- See page 101 for replacement garment hanger tubes.

	length		weight		cubic feet	stainless steel	chrome
	in.	mm	lbs.	kg		model #	model #
24" width	48"	1219	27	12.2	5.4	S2448-GRT	C2448-GRT
	60"	1524	34	15.4	6.5	S2460-GRT	C2460-GRT
(610mm)	72"	1829	37	16.7	7.0	S2472-GRT	C2472-GRT

Convenient for storage of lab coats, uniforms and garments.



* hangers shown sold separately

Wall Mounted Gowning Racks

see spec sheet **EG04.08**

FEATURES:

- Open wire top shelf for laminar flow. Features QuadTruss® Design. Patent #5,390,803.
- Hangers are not included.

Note: See bottom of this page for optional hangers available.

Freight class is 70.0.

with Hanger Slots

- Hanger slots on 2½" (64mm) centers. Prices do not include hangers.

	length		weight		cubic feet	number of hanger slots	electropolished		chrome	
	in.	mm	lbs.	kg			model #	model #		
24"	48"	1219	19	8.6	1.4	17	EP2448-WGR	C2448-WGR		
width	60"	1524	24	10.9	1.7	22	EP2460-WGR	C2460-WGR		
(610mm)	72"	1829	29	13.2	2.0	27	EP2472-WGR	C2472-WGR		

Optional Keeper Bars for above Gowning Racks

- Makes hangers non-removable.

length	number of hanger slots	electropolished		chrome	
		in.	mm	model #	model #
48"	17	KB48-EP	KB48-C		
60"	22	KB60-EP	KB60-C		
72"	27	KB72-EP	KB72-C		

with Hooks

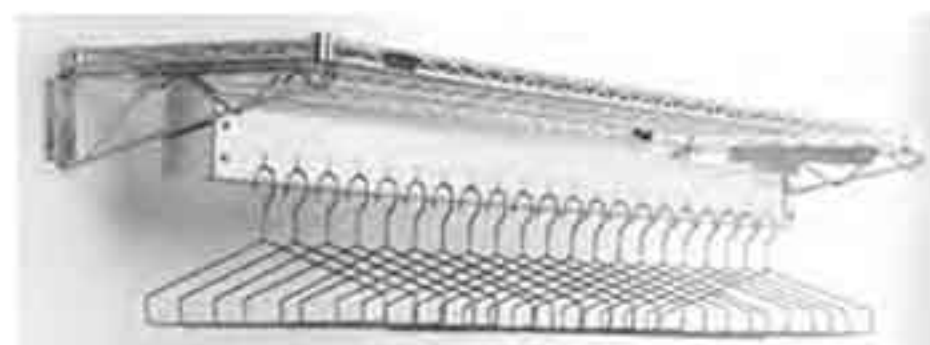
- Hooks welded on 1½" (38mm) centers.

	length		weight		cubic feet	number of hooks	electropolished		chrome	
	in.	mm	lbs.	kg			model #	model #		
14"	48"	1219	21	9.5	1.4	30	EP1448-WGRH	C1448-WGRH		
width	60"	1524	27	12.2	1.7	38	EP1460-WGRH	C1460-WGRH		
(356mm)	72"	1829	31	14.1	2.0	46	EP1472-WGRH	C1472-WGRH		

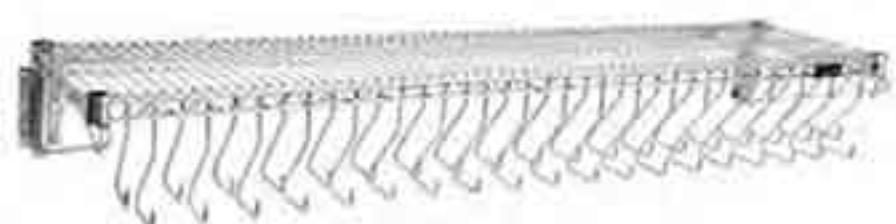
with Hanger Tube

- See page 101 for replacement garment hanger tubes.

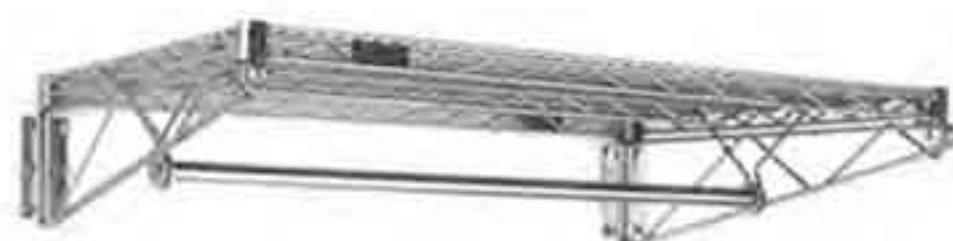
	length		weight		cubic feet	electropolished		chrome	
	in.	mm	lbs.	kg		model #	model #		
18"	48"	1219	17	7.7	1.4	S1848-WGRT	C1848-WGRT		
width	60"	1524	22	10.0	1.7	S1860-WGRT	C1860-WGRT		
(457mm)	72"	1829	27	12.2	2.0	S1872-WGRT	C1872-WGRT		



gowning rack – wall mounted with optional hangers



gowning rack – wall mounted with hooks



wall mounted tubular gowning rack

Hangers

see spec sheet **EG04.06**

Note: For freestanding or wall mounted gowning racks, removable or non-removable models (pages 98-100).

Freight class is 70.0.

(•) MTS (made to stock) / () MTO (made to order)

Open Loop Hangers

Closed Loop Hangers

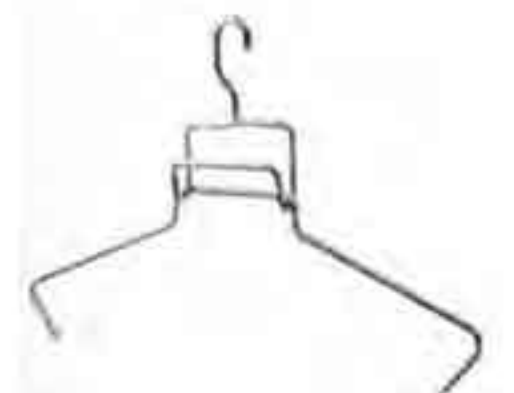


closed loop hanger

weight	cu	chrome		stainless steel		electropolished		chrome	stainless steel	electropolished
		lbs.	kg	ft	model #	model #	model #			
0.4	0.2	0.3	OLH-C•	OLH-S•	OLH-EP	CLH-C	CLH-S	CLH-EP		

2-Piece Hangers

weight	cu	chrome		stainless steel		electropolished	
		lbs.	kg	ft	model #	model #	model #
0.5	0.2	0.3	TPH-C	TPH-S	TPH-EP		



- Use with non-removable hanger rack models.
- Top component affixed to gowning rack, while bottom component is removable for convenient mounting of the garment.
- These hangers discourage removal from the gowning area.

Accessories

Hanger Bar Kits

see spec sheet **EG04.06**



Note: For freestanding or wall mounted gowning racks, removable or non-removable models (pages 98-100).

FEATURES:

- For use with 2-piece and open loop hangers.
- Retrofits existing shelving into freestanding or wall mounted gowning racks.
- 24" (610mm) wide shelves only.
- Hanger slots on standard 2½" (64mm) centers.
- Custom spacing available.
- Prices do not include hangers.

Freight class is 70.0.

length		weight		cu ft	number of hanger slots	electropolished	stainless steel	chrome
in.	mm	lbs.	kg			model #	model #	model #
48"	1219	7.0	3.2	0.8	17	HBK-48EP	HBK-48S	HBK-48C
60"	1524	9.5	4.3	1.2	22	HBK-60EP	HBK-60S	HBK-60C
72"	1829	12.0	5.4	1.6	27	HBK-72EP	HBK-72S	HBK-72C

Replacement Garment Hanger Tubes

see spec sheet **EG04.07**

length		weight		cubic feet	chrome	stainless steel
in.	mm	lbs.	kg		model #	model #
24"	610	1.5	0.7	0.1	CH24	CH24-S
30"	762	1.7	0.8	0.1	CH30	CH30-S
36"	914	2.2	1.0	0.1	CH36	CH36-S
42"	1067	2.7	1.2	0.1	CH42	CH42-S
48"	1219	3.2	1.5	0.1	CH48	CH48-S
54"	1372	3.5	1.6	0.2	CH54	CH54-S
60"	1524	3.8	1.7	0.2	CH60	CH60-S
72"	1929	4.7	2.1	0.2	CH72	CH72-S

Weight Capacity: 50 lbs.

Note: Mounts onto 18", 21", and 24" (457, 533, and 610mm) wide shelves only.

For freestanding or wall mounted gowning racks with hanger tubes (pages 99 & 100).

Freight class is 50.0.

(•) MTS (made to stock) / () MTO (made to order)



garment hanger tube

Stainless Steel Caster Cradle®

see product announcement **EG8108M**



PATENTED!
(patent #US 8,678,335 B2)

FEATURES:

- The only caster stabilizing device with a patented uniform circular design (patent #US 8,678,335 B2) that allows for approach from any angle.
- Units are secured to the floor where the casters are to be centered.

Freight class is 85.0.

description	model #
quantity of 2 per package	CC-S-2
quantity of 10 per package	CC-S-10
quantity of 60 per package	CC-S-60

Electropolished Posts

see spec sheet **EG04.07**



stationary post

Stationary posts come standard with electropolished foot plates.

post height		weight		cu ft	...Stationary	...Mobile
in.	mm	lbs.	kg		model #	model #
33"	383	2.0	0.9	0.4	P33-EPS	CP33-EPS
54"	1372	3.0	1.4	0.4	P54-EPS	CP54-EPS
63"	1600	3.5	1.6	0.4	P63-EPS	CP63-EPS
74"	1880	4.0	1.8	0.5	P74-EPS	CP74-EPS
86"	2184	5.0	2.3	0.5	P86-EPS	CP86-EPS

Freight class is 50.0.