

- **Standing Height Cabinets**

- Open
- Full Height Door
- Drawer Bank
- Door/Drawer Combination
- Sink Base

- **Sitting Height Cabinets**

- Open
- Full Height Door
- Drawer Bank
- Door/Drawer Combination
- Sink Base

- **Upper Cabinets**

- Open Wall Case
- Solid Swinging Wall Case
- Framed Glass Swinging Wall Case

- **Tall Cabinets**

- Open Tall Case
- Solid Swinging Tall Case
- Framed Glass Swinging Tall Case

- **Table Frames**

- Standard Table Frames
- Table Frames with Drawers



Stainless Steel Inset Casework

Pharmaceutical • Biotech • Medical Device • Cleanroom • Lab • Research



CLEAN³
MODULAR SYSTEMS

WWW.CLEAN-CUBED.COM • 1.877.297.7763

Table of Contents

STANDING HEIGHT CABINETS

Open Base Units	3
Full Height Door Base Units	3
Drawer Base Units.....	3-5
Door/Drawer Combo Base Units.....	5-6
Sink Base Units.....	7

SITTING HEIGHT CABINETS

Open Base Units	7
Full Height Door Base Units	7
Drawer Base Units.....	7-8
Door/Drawer Combo Base Units	8
Sink Base Units.....	9

BASE FILLER PANELS

Base Filler Panels	9-10
--------------------------	------

UPPER CABINETS

Open Wall Case	10
Solid Swinging Wall Case.....	10-11
Framed Glass Swinging Wall Case	11

TALL CABINETS

Open Tall Case	12
Solid Swinging Tall Case	12
Framed Glass Swinging Tall Case	12

TABLE FRAMES

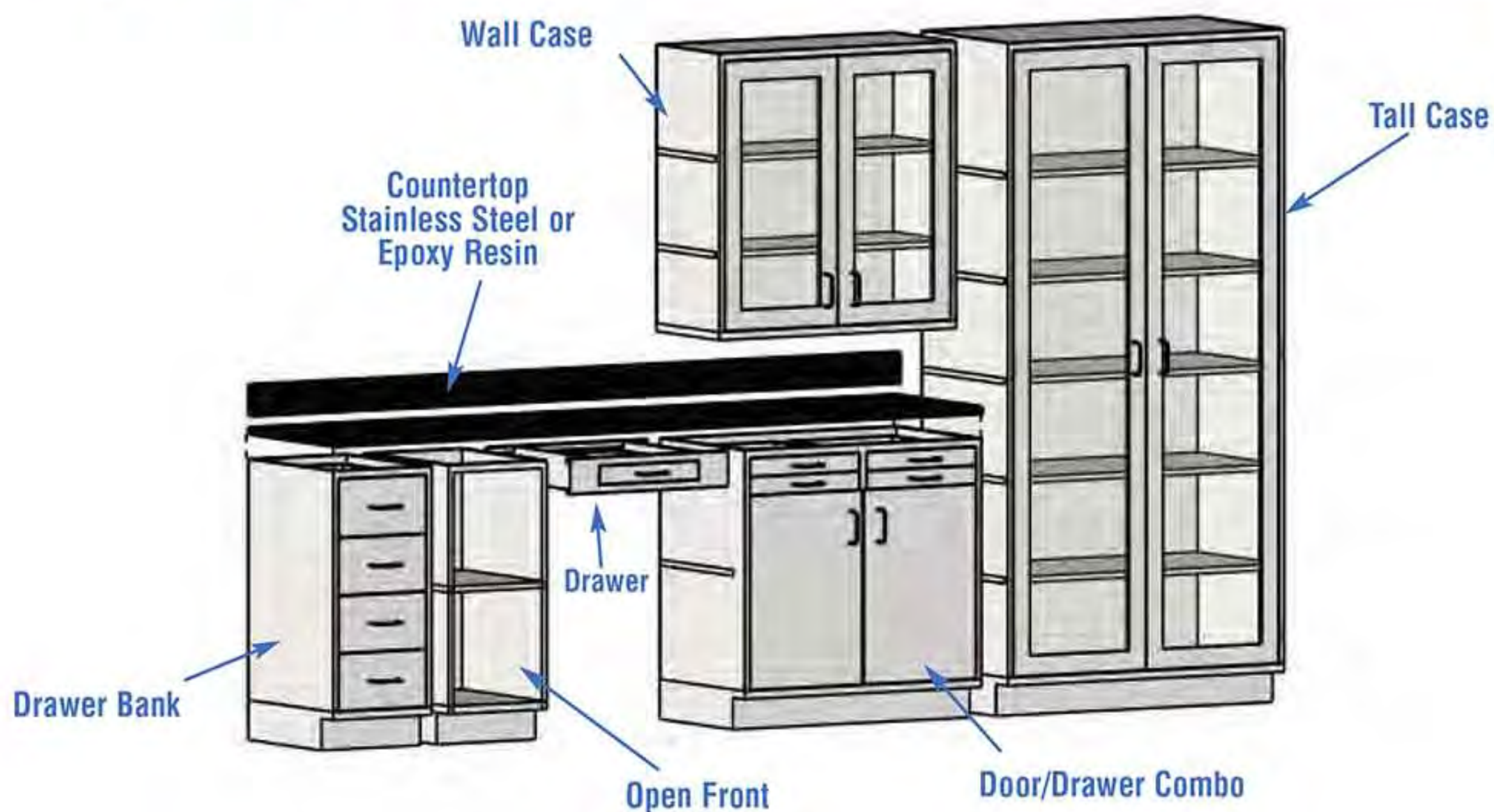
Standard Table Frames	13
Standard Table Frames with Drawers	13-14
Mobile Table Frames.....	15
Mobile Table Frames with Drawers	16

STAINLESS STEEL COUNTERTOPS

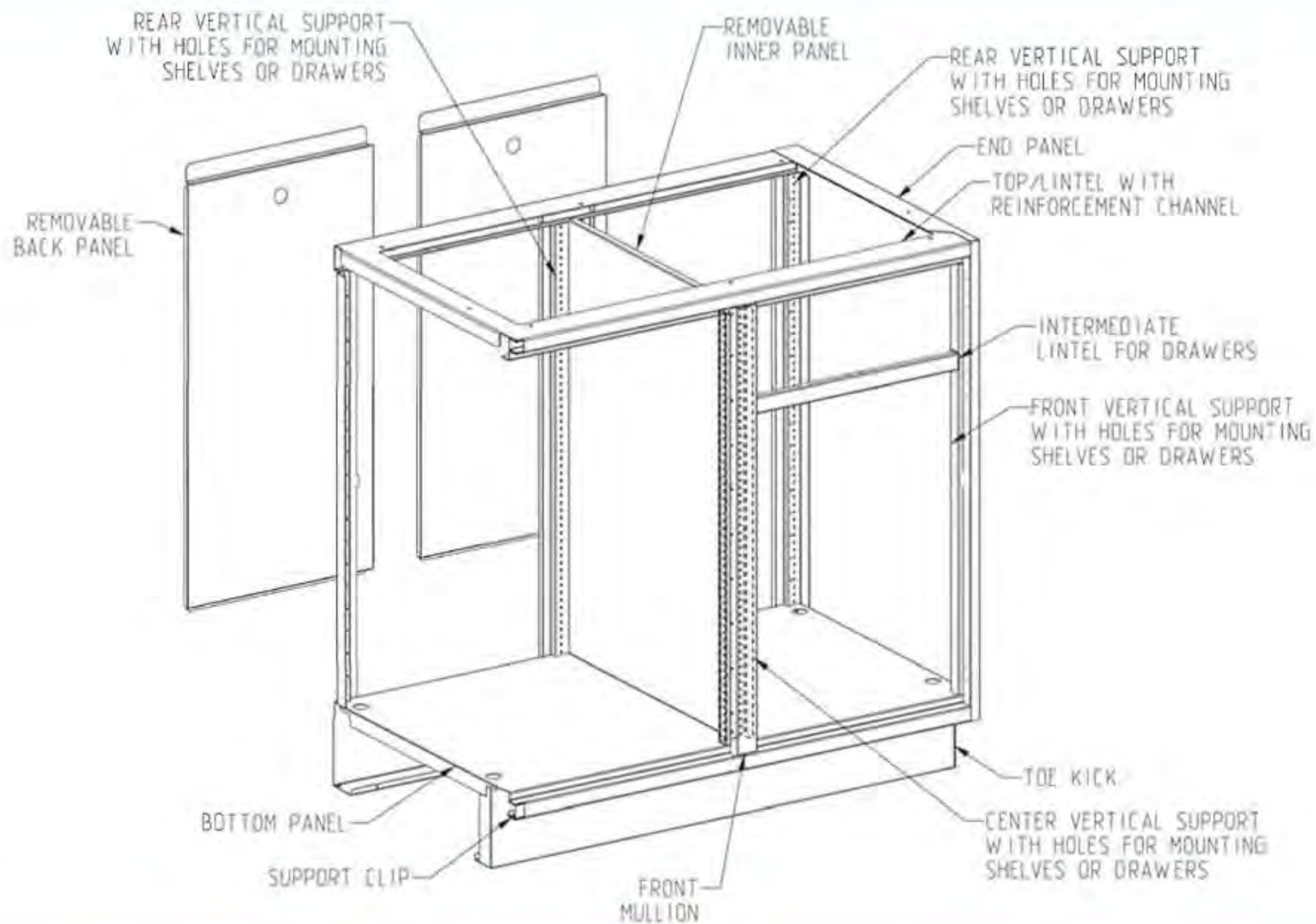
Stainless Steel Countertops.....	17-18
----------------------------------	-------

CUSTOM FABRICATION

Custom Fabrication.....	19
-------------------------	----



Standard Casework Construction Specifications



Base Units - Standing Height Cabinets - 35" high, 22" deep

Open



Model Number	Width
SSC-HOB-18	18"
SSC-HOB-24	24"



Model Number	Width
SSC-HOB-30	30"
SSC-HOB-36	36"
SSC-HOB-48	48"

Full Height Door



Model Number	Width
SSC-HCBL-18	18"
SSC-HCBL-24	24"

Model Number	Width
SSC-HCBL-18	18"
SSC-HCBL-24	24"

Model Number	Width
SSC-HCB-30	30"
SSC-HCB-36	36"
SSC-HCB-48	48"

Drawer



- Ten 3" drawers per unit

Model Number	Width
SSC-HDB3-18	18"
SSC-HDB3-24	24"
SSC-HDB3-30	30"
SSC-HDB3-36	36"
SSC-HDB3-48	48"

- Five 6" drawers per unit

Model Number	Width
SSC-HDB6-18	18"
SSC-HDB6-24	24"
SSC-HDB6-30	30"
SSC-HDB6-36	36"
SSC-HDB6-48	48"

Base Units - Standing Height Cabinets - 35" high, 22" deep

Drawer



- Four 7" drawers per unit

Model Number	Width
SSC-HDB7-18	18"
SSC-HDB7-24	24"
SSC-HDB7-30	30"
SSC-HDB7-36	36"
SSC-HDB7-48	48"



- Three 10" drawers per unit

Model Number	Width
SSC-HDB10-18	18"
SSC-HDB10-24	24"
SSC-HDB10-30	30"
SSC-HDB10-36	36"
SSC-HDB10-48	48"



- Ten 6" drawers per unit

Model Number	Width
SSC-HDBD6-30	30"
SSC-HDBD6-36	36"
SSC-HDBD6-48	48"



- Eight 7" drawers per unit

Model Number	Width
SSC-HDBD7-30	30"
SSC-HDBD7-36	36"
SSC-HDBD7-48	48"



Model Number	Width
SSC-HDBM1-18	18"
SSC-HDBM1-24	24"



Model Number	Width
SSC-HDBM2-18	18"
SSC-HDBM2-24	24"



Drawer



Model Number	Width
SSC-HDBM3-18	18"
SSC-HDBM3-24	24"



Model Number	Width
SSC-HDBM4-18	18"
SSC-HDBM4-24	24"



Model Number	Width
SSC-HDBM5-18	18"
SSC-HDBM5-24	24"



Model Number	Width
SSC-HDBM6-18	18"
SSC-HDBM6-24	24"



Model Number	Width
SSC-HDBM7-30	30"
SSC-HDBM7-36	36"
SSC-HDBM7-48	48"



Model Number	Width
SSC-HDBM8-30	30"
SSC-HDBM8-36	36"
SSC-HDBM8-48	48"



Model Number	Width
SSC-HDBM9-30	30"
SSC-HDBM9-36	36"
SSC-HDBM9-48	48"

Base Units - Standing Height Cabinets - 35" high, 22" deep

Drawer



Model Number	Width
SSC-HDBM10-30	30"
SSC-HDBM10-36	36"
SSC-HDBM10-48	48"



Model Number	Width
SSC-HDBM11-30	30"
SSC-HDBM11-36	36"
SSC-HDBM11-48	48"



Model Number	Width
SSC-HDBM12-30	30"
SSC-HDBM12-36	36"
SSC-HDBM12-48	48"



Model Number	Width
SSC-HDBM13-30	30"
SSC-HDBM13-36	36"
SSC-HDBM13-48	48"

Door/Drawer Combination



Model Number	Width
SSC-HDDT6D-30	30"
SSC-HDDT6D-36	36"
SSC-HDDT6D-48	48"



Model Number	Width
SSC-HDDT6-30	30"
SSC-HDDT6-36	36"
SSC-HDDT6-48	48"



Model Number	Width
SSC-HDDL3-18	18"
SSC-HDDL3-24	24"



Model Number	Width
SSC-HDDR3-18	18"
SSC-HDDR3-24	24"



Model Number	Width
SSC-HDDL6-30	30"
SSC-HDDL6-36	36"
SSC-HDDL6-48	48"



Model Number	Width
SSC-HDDR6-30	30"
SSC-HDDR6-36	36"
SSC-HDDR6-48	48"



Model Number	Width
SSC-HDDL7-30	30"
SSC-HDDL7-36	36"
SSC-HDDL7-48	48"

Door/Drawer Combination



Model Number	Width
SSC-HDDL6-18	18"
SSC-HDDL6-24	24"



Model Number	Width
SSC-HDDR6-18	18"
SSC-HDDR6-24	24"

Base Units - Standing Height Cabinets - 35" high, 22" deep

Door/Drawer Combination



Model Number	Width
SSC-HDDR7-30	30"
SSC-HDDR7-36	36"
SSC-HDDR7-48	48"



Model Number	Width
SCC-HDDL6D-30	30"
SCC-HDDL6D-36	36"
SCC-HDDL6D-48	48"



Model Number	Width
SCC-HDDR6D-30	30"
SCC-HDDR6D-36	36"
SCC-HDDR6D-48	48"



Model Number	Width
SSC-HDDL7D-30	30"
SSC-HDDL7D-36	36"
SSC-HDDL7D-48	48"



Model Number	Width
SSC-HDDR7D-30	30"
SSC-HDDR7D-36	36"
SSC-HDDR7D-48	48"



Model Number	Width
SSC-SDDT3-30	30"
SSC-SDDT3-36	36"
SSC-SDDT3-48	48"

Door/Drawer Combination



Model Number	Width
SSC-HDDT3D-30	30"
SSC-HDDT3D-36	36"
SSC-HDDT3D-48	48"



Model Number	Width
SSC-HDDL1-30	30"
SSC-HDDL1-36	36"
SSC-HDDL1-48	48"



Model Number	Width
SSC-HDDR1-30	30"
SSC-HDDR1-36	36"
SSC-HDDR1-48	48"



Model Number	Width
SSC-HDDL2-30	30"
SSC-HDDL2-36	36"
SSC-HDDL2-48	48"



Model Number	Width
SSC-HDDR2-30	30"
SSC-HDDR2-36	36"
SSC-HDDR2-48	48"

Custom configurations and options available upon request. Please contact our SpecFab Custom Fabrication Department for a quotation.

Base Units - Standing Height Cabinets - 35" high, 22" deep

Sink Base



Model Number	Width
SSC-HSBL-18	18"
SSC-HSBL-24	24"



Model Number	Width
SSC-HSBR-18	18"
SSC-HSBR-24	24"

Sink Base



Model Number	Width
SSC-HSB-30	30"
SSC-HSB-36	36"
SSC-HSB-48	48"



Model Number	Width
SSC-HSB-56	56"
SSC-HSB-58	58"

Base Units - Sitting Height Cabinets - 29 1/8" high, 22" deep

Open



Model Number	Width
SSC-SOB-18	18"
SSC-SOB-24	24"



Model Number	Width
SSC-SOB-30	30"
SSC-SOB-36	36"
SSC-SOB-48	48"

Full Height Door



Model Number	Width
SSC-SCBR-18	18"
SSC-SCBR-24	24"



Model Number	Width
SSC-SCB-30	30"
SSC-SCB-36	36"
SSC-SCB-48	48"

Full Height Door



Model Number	Width
SSC-SCBL-18	18"
SSC-SCBL-24	24"

Drawer



Model Number	Width
SSC-SDB12-18	18"
SSC-SDB12-24	24"

Base Units - Sitting Height Cabinets - 29 1/8" high, 22" deep

Drawer



Model Number	Width
SSC-SDBG5-18	18"
SSC-SDBG5-24	24"



Model Number	Width
SSC-SDBM1-18	18"
SSC-SDBM1-24	24"



Model Number	Width
SSC-SDBM2-18	18"
SSC-SDBM2-24	24"



Model Number	Width
SSC-SDBM3-18	18"
SSC-SDBM3-24	24"



Model Number	Width
SSC-SDBM4-18	18"
SSC-SDBM4-24	24"



Model Number	Width
SSC-SDBM6-18	18"
SSC-SDBM6-24	24"

Drawer



Model Number	Width
SSC-SDBM7-18	18"
SSC-SDBM7-24	24"



Model Number	Width
SSC-SDBM8-18	18"
SSC-SDBM8-24	24"

Door/Drawer Combination



Model Number	Width
SSC-SDDL6-18	18"
SSC-SDDL6-24	24"



Model Number	Width
SSC-SDDR6-18	18"
SSC-SDDR6-24	24"



Model Number	Width
SSC-SDDL3-18	18"
SSC-SDDL3-24	24"



Model Number	Width
SSC-SDDR3-18	18"
SSC-SDDR3-24	24"

Base Units - Sitting Height Cabinets - 29 1/8" high, 22" deep

Sink Base



Model Number	Width
SSC-SSBL-18	18"
SSC-SSBL-24	24"



Model Number	Width
SSC-SSBR-18	18"
SSC-SSBR-24	24"

Model Number	Width
SSC-SSB-30	30"
SSC-SSB-36	36"
SSC-SSB-48	48"



Model Number	Width
SSC-SSB-56	56"
SSC-SSB-58	58"

Base Filler Panels - 35" high

Knee-Space Panel - Fixed



STANDING HEIGHT

Model Number	Width
SSC-HKPL-24	24"
SSC-HKPL-30	30"
SSC-HKPL-36	36"

For use with no apron above



SITTING HEIGHT

Model Number	Width
SSC-SKPL-24	24"
SSC-SKPL-30	30"
SSC-SKPL-36	36"

Toe Filler



STANDING HEIGHT TOE FILLER

Model Number	Width
SSC-HTF-3	3"
SSC-HTF-6	6"
SSC-HTF-12	12"

SITTING HEIGHT TOE FILLER

Model Number	Width
SSC-STF-3	3"
SSC-STF-6	6"
SSC-STF-12	12"

TALL TOE FILLER

Model Number	Width
SSC-TTF-3	3"
SSC-TTF-6	6"
SSC-TTF-12	12"

Toe Scribe



STANDING HEIGHT TOE SCRIBE

Model Number	Width
SSC-HTSL-1	1"
SSC-HTSL-2	2"
SSC-HTSL-3	3"
SSC-HTSR-1	1"
SSC-HTSR-2	2"
SSC-HTSR-3	3"

SITTING HEIGHT TOE SCRIBE

Model Number	Width
SSC-STSL-1	1"
SSC-STSL-2	2"
SSC-STSL-3	3"
SSC-STSR-1	1"
SSC-STSR-2	2"
SSC-STSR-3	3"

TALL TOE SCRIBE

Model Number	Width
SSC-TTSL-1	1"
SSC-TTSL-2	2"
SSC-TTSL-3	3"
SSC-TTSR-1	1"
SSC-TTSR-2	2"
SSC-TTSR-3	3"

Rear Filler Panel



STANDING HEIGHT REAR FILLER PANEL

Model Number	Width
SSC-HRFP-6	6"
SSC-HRFP-12	12"

SITTING HEIGHT REAR FILLER PANEL

Model Number	Width
SSC-SRFP-6	6"
SSC-SRFP-12	12"

TALL REAR FILLER PANEL

Model Number	Width
SSC-TRFP-6	6"
SSC-TRFP-12	12"

Base Filler Panels - 35" high

Rear Filler Scribe



STANDING HEIGHT REAR FILLER SCRIBE

Model Number	Width
SSC-HRFSL-1	1"
SSC-HRFSL-2	2"
SSC-HRFSL-3	3"
SSC-HRFSL-6	6"
SSC-HRFSR-1	1"
SSC-HRFSR-2	2"
SSC-HRFSR-3	3"
SSC-HRFSR-6	6"

SITTING HEIGHT REAR FILLER SCRIBE

Model Number	Width
SSC-SRFSL-1	1"
SSC-SRFSL-2	2"
SSC-SRFSL-3	3"
SSC-SRFSL-6	6"
SSC-SRFSR-1	1"
SSC-SRFSR-2	2"
SSC-SRFSR-3	3"
SSC-SRFSR-6	6"

TALL REAR FILLER FILLER SCRIBE

Model Number	Width
SSC-TRFSL-1	1"
SSC-TRFSL-2	2"
SSC-TRFSL-3	3"
SSC-TRFSL-6	6"
SSC-TRFSR-1	1"
SSC-TRFSR-2	2"
SSC-TRFSR-3	3"
SSC-TRFSR-6	6"

Corner Filler



STANDING HEIGHT CORNER FILLER

Model Number	Width
SSC-HCF-3	3"
SSC-HCF-6	6"

SITTING HEIGHT CORNER FILLER

Model Number	Width
SSC-SCF-3	3"
SSC-SCF-6	6"

TALL CORNER FILLER

Model Number	Width
SSC-TCF-3	3"
SSC-TCF-6	6"

Upper Cabinets - 31" high

Open Wall Case



FLAT TOP

Model Number	Depth	Width
SSC-WCO-1318	13"	18"
SSC-WCO-1324	13"	24"
SSC-WCO-1330	13"	30"
SSC-WCO-1336	13"	36"
SSC-WCO-1348	13"	48"
SSC-WCO-1618	16"	18"
SSC-WCO-1624	16"	24"
SSC-WCO-1630	16"	30"
SSC-WCO-1636	16"	36"
SSC-WCO-1648	16"	48"



SLOPED TOP

Model Number	Depth	Width
SSC-WCOST-1318	13"	18"
SSC-WCOST-1324	13"	24"
SSC-WCOST-1330	13"	30"
SSC-WCOST-1336	13"	36"
SSC-WCOST-1348	13"	48"
SSC-WCOST-1618	16"	18"
SSC-WCOST-1624	16"	24"
SSC-WCOST-1630	16"	30"
SSC-WCOST-1636	16"	36"
SSC-WCOST-1648	16"	48"

Solid Swinging Wall Case



FLAT TOP

Model Number	Depth	Width
SSC-WCHL-1318	13"	18"
SSC-WCHL-1324	13"	24"
SSC-WCHL-1618	16"	18"
SSC-WCHL-1624	16"	24"



SLOPED TOP

Model Number	Depth	Width
SSC-WCHLST-1318	13"	18"
SSC-WCHLST-1324	13"	24"
SSC-WCHLST-1618	16"	18"
SSC-WCHLST-1624	16"	24"



FLAT TOP

Model Number	Depth	Width
SSC-WCHR-1318	13"	18"
SSC-WCHR-1324	13"	24"
SSC-WCHR-1618	16"	18"
SSC-WCHR-1624	16"	24"



SLOPED TOP

Model Number	Depth	Width
SSC-WCHRST-1318	13"	18"
SSC-WCHRST-1324	13"	24"
SSC-WCHRST-1618	16"	18"
SSC-WCHRST-1624	16"	24"

Upper Cabinets - 31" high

Solid Swinging Wall Case



FLAT TOP

Model Number	Depth	Width
SSC-WCH-1330	13"	30"
SSC-WCH-1336	13"	36"
SSC-WCH-1348	13"	48"
SSC-WCH-1630	16"	30"
SSC-WCH-1636	16"	36"
SSC-WCH-1648	16"	48"



SLOPED TOP

Model Number	Depth	Width
SSC-WCHST-1330	13"	30"
SSC-WCHST-1336	13"	36"
SSC-WCHST-1348	13"	48"
SSC-WCHST-1630	16"	30"
SSC-WCHST-1636	16"	36"
SSC-WCHST-1648	16"	48"

Framed Glass Swinging Wall Case



Model Number	Depth	Width
SSC-WCGHL-1318	13"	18"
SSC-WCGHL-1324	13"	24"
SSC-WCGHL-1618	16"	18"
SSC-WCGHL-1624	16"	24"



Model Number	Depth	Width
SSC-WCGHLST-1318	13"	18"
SSC-WCGHLST-1324	13"	24"
SSC-WCGHLST-1618	16"	18"
SSC-WCGHLST-1624	16"	24"



Model Number	Depth	Width
SSC-WCGHR-1318	13"	18"
SSC-WCGHR-1324	13"	24"
SSC-WCGHR-1618	16"	18"
SSC-WCGHR-1624	16"	24"



Model Number	Depth	Width
SSC-WCGHRST-1318	13"	18"
SSC-WCGHRST-1324	13"	24"
SSC-WCGHRST-1618	16"	18"
SSC-WCGHRST-1624	16"	24"



Model Number	Depth	Width
SSC-WCGH-1330	13"	30"
SSC-WCGH-1336	13"	36"
SSC-WCGH-1348	13"	48"
SSC-WCGH-1630	16"	30"
SSC-WCGH-1636	16"	36"
SSC-WCGH-1648	16"	48"



Model Number	Depth	Width
SSC-WCGHST-1330	13"	30"
SSC-WCGHST-1336	13"	36"
SSC-WCGHST-1348	13"	48"
SSC-WCGHST-1630	16"	30"
SSC-WCGHST-1636	16"	36"
SSC-WCGHST-1648	16"	48"

SPACEPlanning



Since joining the Revit® community in late 2012, Eagle has been working diligently to create our Revit® content library of catalog items.

You can access Eagle's Revit® library through our website—www.eagle.mhc.com—which features a link on the homepage which takes you directly to our offering in the KCL library.



Contact us...

If you are interested in a model that is not yet available via our website, please contact us via at **1.877.297.7763**

Please include the following information with your request, if applicable:

- Contact information
- Project name
- Requested timeline
- Deliverable media
- Custom or standard (include Model #)
- Plans and/or specifications related
- Special considerations
- Revit version (2014-2017 available)

Tall Cabinets - 84" high, 18" deep

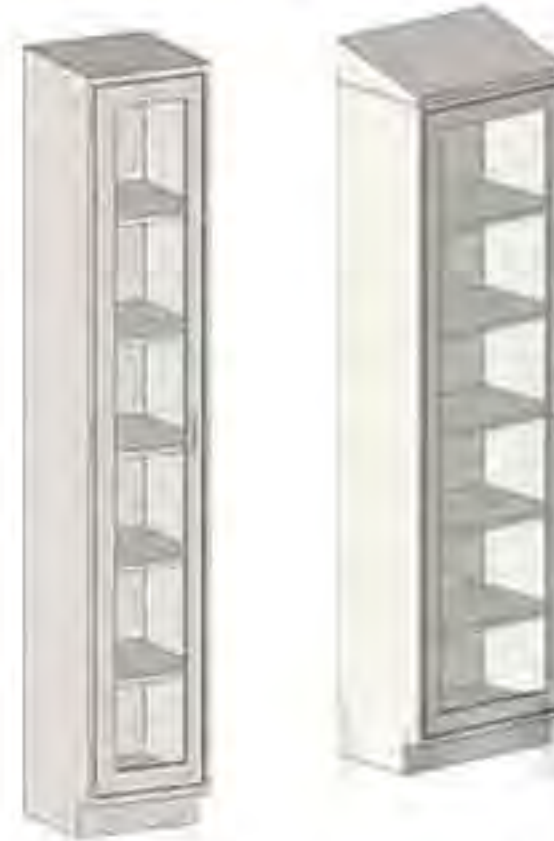
Open Tall Case



FLAT TOP	
Model Number	Width
SSC-TOB-24	24"
SSC-TOB-30	30"
SSC-TOB-36	36"
SSC-TOB-48	48"

SLOPED TOP	
Model Number	Width
SSC-TOBST-24	24"
SSC-TOBST-30	30"
SSC-TOBST-36	36"
SSC-TOBST-48	48"

Framed Glass Swinging Tall Case



FLAT TOP	
Model Number	Width
SSC-TCBGL-24	24"

SLOPED TOP	
Model Number	Width
SSC-TCBGLST-24	24"

Solid Swinging Tall Case



FLAT TOP	
Model Number	Width
SSC-TCBL-24	24"

SLOPED TOP	
Model Number	Width
SSC-TCBLST-24	24"



FLAT TOP	
Model Number	Width
SSC-TCBGR-24	24"

SLOPED TOP	
Model Number	Width
SSC-TCBGRST-24	24"



FLAT TOP	
Model Number	Width
SSC-TCBR-24	24"

SLOPED TOP	
Model Number	Width
SSC-TCBRST-24	24"



FLAT TOP	
Model Number	Width
SSC-TCBG-30	30"
SSC-TCBG-36	36"
SSC-TCBG-48	48"

SLOPED TOP	
Model Number	Width
SSC-TCBGST-30	30"
SSC-TCBGST-36	36"
SSC-TCBGST-48	48"



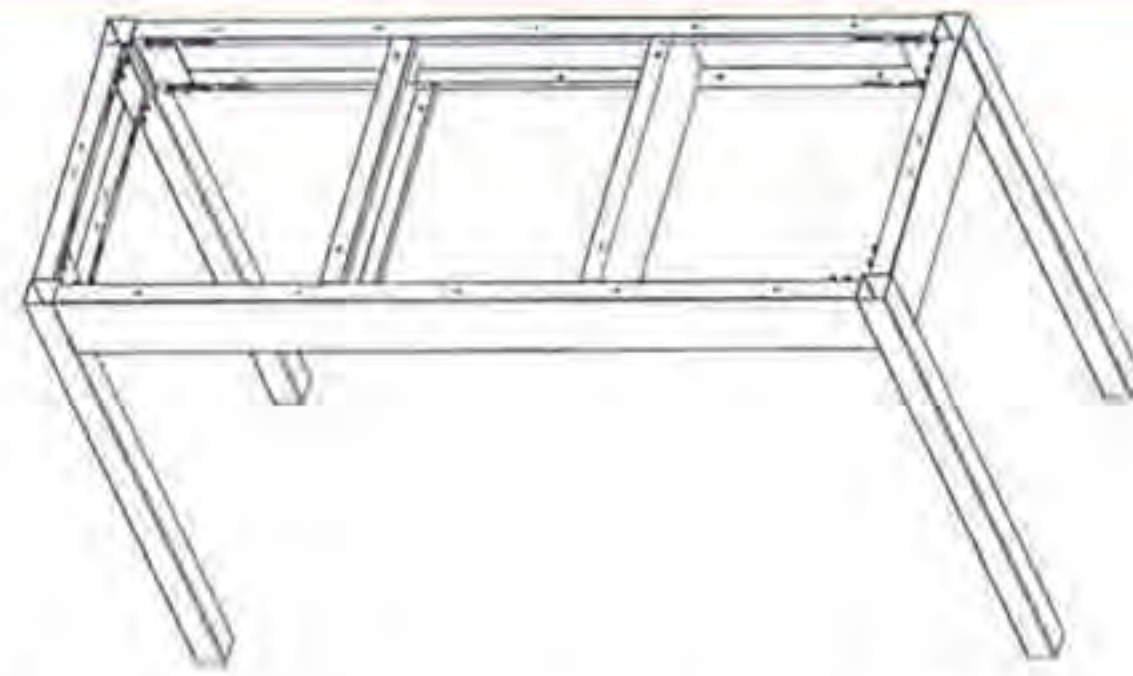
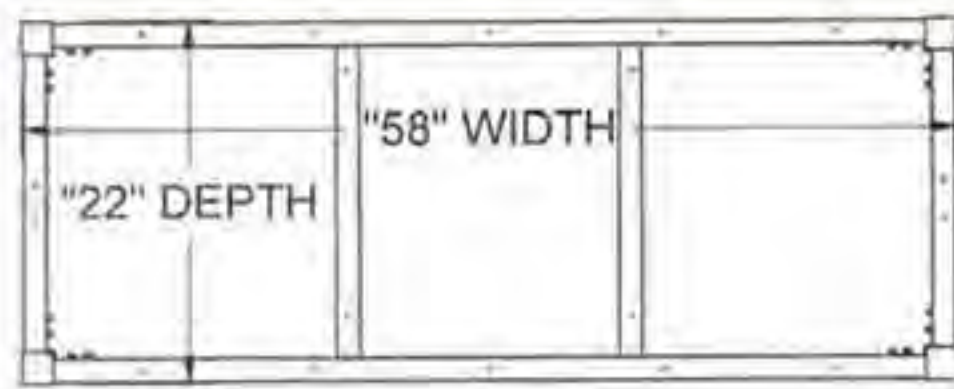
FLAT TOP	
Model Number	Width
SSC-TCB-30	30"
SSC-TCB-36	36"
SSC-TCB-48	48"

SLOPED TOP	
Model Number	Width
SSC-TCBST-30	30"
SSC-TCBST-36	36"
SSC-TCBST-48	48"

Custom configurations and options available upon request. Please contact our SpecFab Custom Fabrication Department: Please include the following information with your request:

- Your name and/or Dealer name
- Job name
- Required date for quote
- Bid date for project
- Projected install date or timeline
- Consultant name, when applicable
- Plans and/or specifications related to the project
- Special considerations

Table Frames - Standard



CATALOG DEFINITION:

END MODEL NUMBER: SSC-HT-2460

ACTUAL DIMENSION OF TOP

BEING SHOWN IS SSC-HT-2460

NOTE: ALLOW 1" OVERHANG FROM EACH SIDE OF TABLE FRAME TO BE FITTED FOR TOP.

Table Frames - Standing Height - 35" High



Model Number	Depth	Width
SSC-HT-2424	22"	22"
SSC-HT-2430	22"	28"
SSC-HT-2436	22"	34"
SSC-HT-2442	22"	40"
SSC-HT-2448	22"	46"
SSC-HT-2460	22"	58"
SSC-HT-2466	22"	64"
SSC-HT-2472	22"	70"

Model Number	Depth	Width
SSC-HT-3024	28"	22"
SSC-HT-3030	28"	28"
SSC-HT-3036	28"	34"
SSC-HT-3042	28"	40"
SSC-HT-3048	28"	46"
SSC-HT-3060	28"	58"
SSC-HT-3066	28"	64"
SSC-HT-3072	28"	70"

Table Frames - Sitting Height - 29 1/8" High



Model Number	Depth	Width
SSC-ST-2424	22"	22"
SSC-ST-2430	22"	28"
SSC-ST-2436	22"	34"
SSC-ST-2442	22"	40"
SSC-ST-2448	22"	46"
SSC-ST-2460	22"	58"
SSC-ST-2466	22"	64"
SSC-ST-2472	22"	70"

Model Number	Depth	Width
SSC-ST-3024	28"	22"
SSC-ST-3030	28"	28"
SSC-ST-3036	28"	34"
SSC-ST-3042	28"	40"
SSC-ST-3048	28"	46"
SSC-ST-3060	28"	58"
SSC-ST-3066	28"	64"
SSC-ST-3072	28"	70"

Table Frames with One Drawer - Standing Height - 35" High

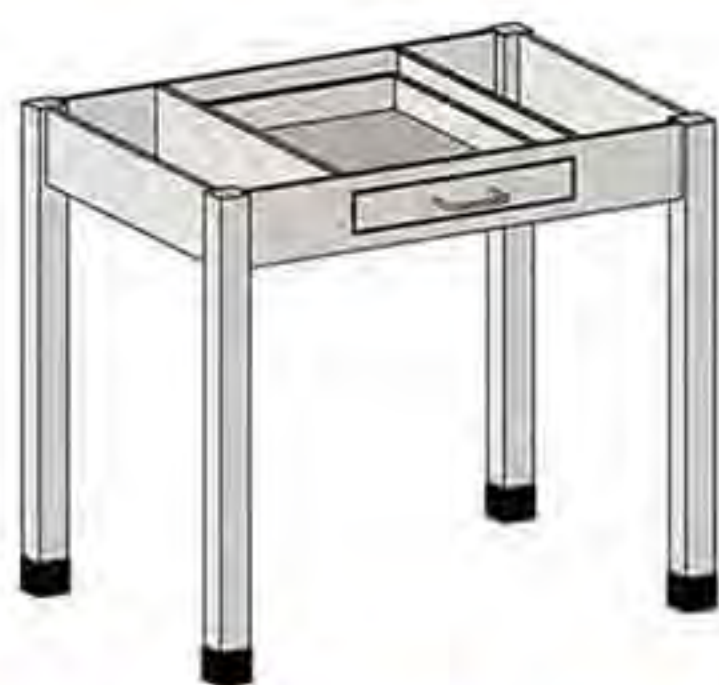


Model Number	Depth	Width
SSC-HT1D-2424	22"	22"
SSC-HT1D-2430	22"	28"
SSC-HT1D-2436	22"	34"
SSC-HT1D-2442	22"	40"
SSC-HT1D-2448	22"	46"
SSC-HT1D-2460	22"	58"
SSC-HT1D-2466	22"	64"
SSC-HT1D-2472	22"	70"

Model Number	Depth	Width
SSC-HT1D-3024	28"	22"
SSC-HT1D-3030	28"	28"
SSC-HT1D-3036	28"	34"
SSC-HT1D-3042	28"	40"
SSC-HT1D-3048	28"	46"
SSC-HT1D-3060	28"	58"
SSC-HT1D-3066	28"	64"
SSC-HT1D-3072	28"	70"

Table Frames - Standard

Table Frames with One Drawer - Sitting Height - 29 1/8" High



Model Number	Depth	Width
SSC-ST1D-2424	22"	22"
SSC-ST1D-2430	22"	28"
SSC-ST1D-2436	22"	34"
SSC-ST1D-2442	22"	40"
SSC-ST1D-2448	22"	46"
SSC-ST1D-2460	22"	58"
SSC-ST1D-2466	22"	64"
SSC-ST1D-2472	22"	70"

Model Number	Depth	Width
SSC-ST1D-3024	28"	22"
SSC-ST1D-3030	28"	28"
SSC-ST1D-3036	28"	34"
SSC-ST1D-3042	28"	40"
SSC-ST1D-3048	28"	46"
SSC-ST1D-3060	28"	58"
SSC-ST1D-3066	28"	64"
SSC-ST1D-3072	28"	70"

Table Frames with Two Drawers - Standing Height - 35" High



Model Number	Depth	Width
SSC-HT2D-2436	22"	34"
SSC-HT2D-2442	22"	40"
SSC-HT2D-2448	22"	46"
SSC-HT2D-2460	22"	58"
SSC-HT2D-2466	22"	64"
SSC-HT2D-2472	22"	70"

Model Number	Depth	Width
SSC-HT2D-3036	28"	34"
SSC-HT2D-3042	28"	40"
SSC-HT2D-3048	28"	46"
SSC-HT2D-3060	28"	58"
SSC-HT2D-3066	28"	64"
SSC-HT2D-3072	28"	70"

Table Frames with Two Drawers - Sitting Height - 29 1/8" High



Model Number	Depth	Width
SSC-ST2D-2436	22"	34"
SSC-ST2D-2442	22"	40"
SSC-ST2D-2448	22"	46"
SSC-ST2D-2460	22"	58"
SSC-ST2D-2466	22"	64"
SSC-ST2D-2472	22"	70"

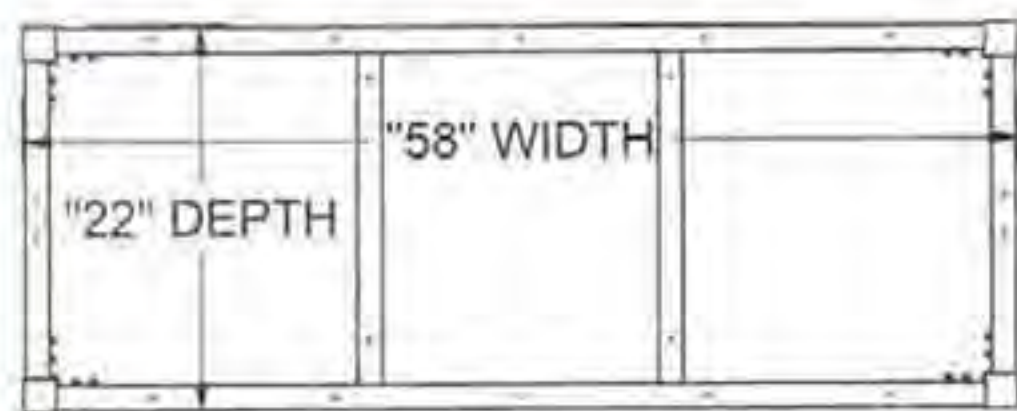
Model Number	Depth	Width
SSC-ST2D-3036	28"	34"
SSC-ST2D-3042	28"	40"
SSC-ST2D-3048	28"	46"
SSC-ST2D-3060	28"	58"
SSC-ST2D-3066	28"	64"
SSC-ST2D-3072	28"	70"



CLEAN³ MHC offers a variety of products for the Life Sciences industry, serving the Pharmaceutical, Biotech, Medical Device, and Research segments of the industry. We offer a wide range of carts including vial tray carts, tote box carriers, angled shelf carts, exchange carts and storage and transport carts. Our high density storage solutions include both top track and floor track storage systems. CLEAN³ stainless steel workstations, wall cabinets, and stainless steel countertops and overlays rounds out our Life Sciences products offering. Custom cart and workstation systems are available to meet your exact specifications.

Additional product offerings for the lab marketplace include stationary and mobile workstations, cleanroom tables, stainless steel countertops, a variety of transport and storage carts and shelving, and a full line of stainless steel lab sinks, including stand alone and drop in models.

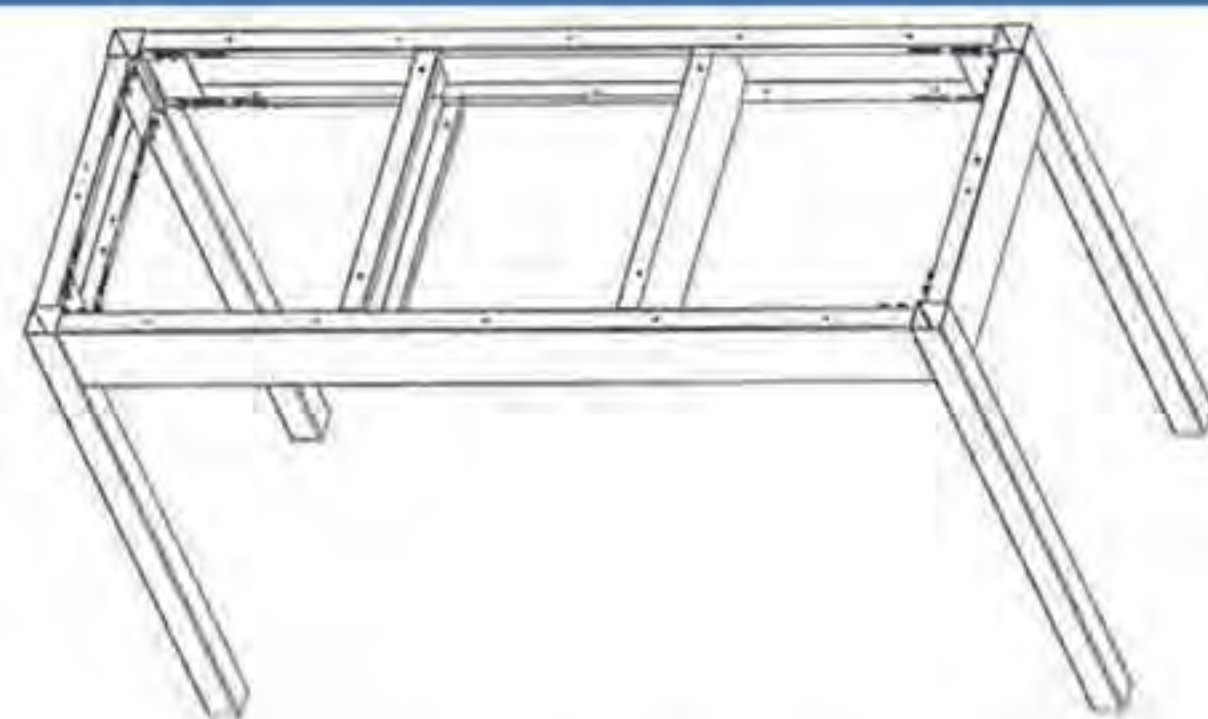
Table Frames - Mobile



CATALOG DEFINITION:

END MODEL NUMBER: SSC-HT-2460

ACTUAL DIMENSION OF TOP



BEING SHOWN IS SSC-HT-2460

NOTE: ALLOW 1" OVERHANG FROM EACH SIDE OF TABLE FRAME TO BE FITTED FOR TOP.

Mobile Table Frames - Standing Height - 35" High



Model Number	Depth	Width	Model Number	Depth	Width
SSC-HTM-2424	22"	22"	SSC-HTM-3024	28"	22"
SSC-HTM-2430	22"	28"	SSC-HTM-3030	28"	28"
SSC-HTM-2436	22"	34"	SSC-HTM-3036	28"	34"
SSC-HTM-2442	22"	40"	SSC-HTM-3042	28"	40"
SSC-HTM-2448	22"	46"	SSC-HTM-3048	28"	46"
SSC-HTM-2460	22"	58"	SSC-HTM-3060	28"	58"
SSC-HTM-2466	22"	64"	SSC-HTM-3066	28"	64"
SSC-HTM-2472	22"	70"	SSC-HTM-3072	28"	70"

Mobile Table Frames - Sitting Height - 29 1/8" High



Model Number	Depth	Width	Model Number	Depth	Width
SSC-STM-2424	22"	22"	SSC-STM-3024	28"	22"
SSC-STM-2430	22"	28"	SSC-STM-3030	28"	28"
SSC-STM-2436	22"	34"	SSC-STM-3036	28"	34"
SSC-STM-2442	22"	40"	SSC-STM-3042	28"	40"
SSC-STM-2448	22"	46"	SSC-STM-3048	28"	46"
SSC-STM-2460	22"	58"	SSC-STM-3060	28"	58"
SSC-STM-2466	22"	64"	SSC-STM-3066	28"	64"
SSC-STM-2472	22"	70"	SSC-STM-3072	28"	70"

SPACEPlanning

At CLEAN³ Modular Systems, we specialize in providing Pharmaceutical Modular Cleanrooms that will improve your aseptic processing exponentially! All of our Modular Systems feature durable walls, flexible floor space, flush connections, dual ceiling systems and more! Moreover, we are consistently researching and testing new designs and trends within the cleanroom industry to meet customer demands.



Contact us...

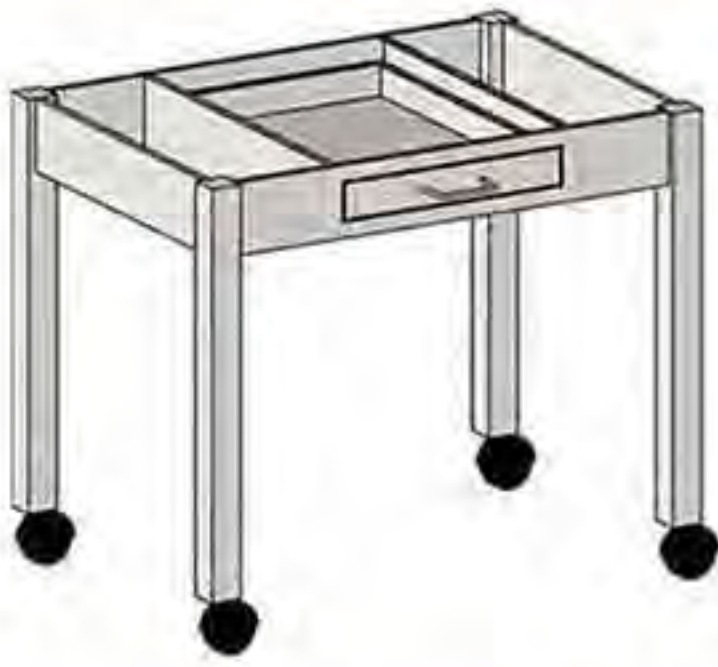
If you are interested in a model that is not yet available via our website, please contact us via at **1.877.297.7763**

Please include the following information with your request, if applicable:

- Contact information
- Project name
- Requested timeline
- Deliverable media
- Custom or standard (include Model #)
- Plans and/or specifications related
- Special considerations
- Revit version (2014-2017 available)

Table Frames - Mobile

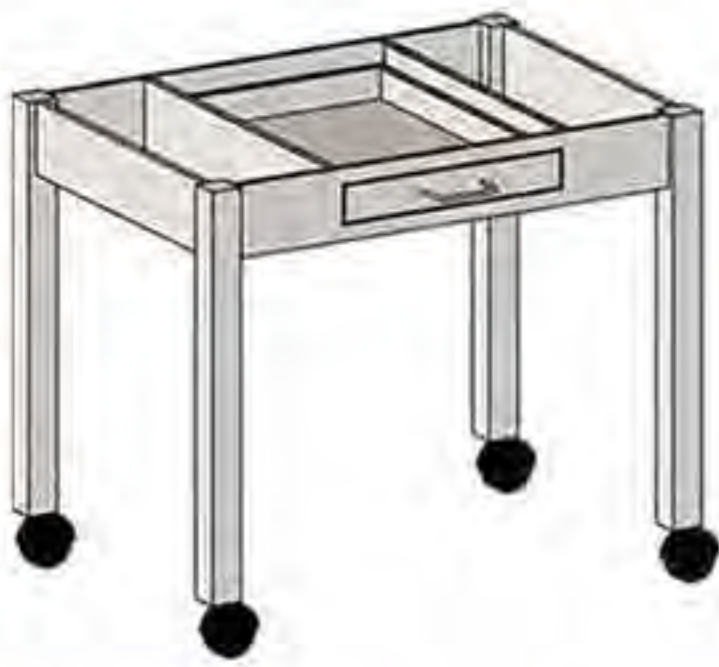
Mobile Table Frames with One Drawer - Standing Height - 35" High



Model Number	Depth	Width
SSC-HTM1D-2424	22"	22"
SSC-HTM1D-2430	22"	28"
SSC-HTM1D-2436	22"	34"
SSC-HTM1D-2442	22"	40"
SSC-HTM1D-2448	22"	46"
SSC-HTM1D-2460	22"	58"
SSC-HTM1D-2466	22"	64"
SSC-HTM1D-2472	22"	70"

Model Number	Depth	Width
SSC-HTM1D-3024	28"	22"
SSC-HTM1D-3030	28"	28"
SSC-HTM1D-3036	28"	34"
SSC-HTM1D-3042	28"	40"
SSC-HTM1D-3048	28"	46"
SSC-HTM1D-3060	28"	58"
SSC-HTM1D-3066	28"	64"
SSC-HTM1D-3072	28"	70"

Mobile Table Frames with Drawers - Sitting Height - 29 1/8" High



Model Number	Depth	Width
SSC-STM1D-2424	22"	22"
SSC-STM1D-2430	22"	28"
SSC-STM1D-2436	22"	34"
SSC-STM1D-2442	22"	40"
SSC-STM1D-2448	22"	46"
SSC-STM1D-2460	22"	58"
SSC-STM1D-2466	22"	64"
SSC-STM1D-2472	22"	70"

Model Number	Depth	Width
SSC-STM1D-3024	28"	22"
SSC-STM1D-3030	28"	28"
SSC-STM1D-3036	28"	34"
SSC-STM1D-3042	28"	40"
SSC-STM1D-3048	28"	46"
SSC-STM1D-3060	28"	58"
SSC-STM1D-3066	28"	64"
SSC-STM1D-3072	28"	70"

Mobile Table Frames with Two Drawers - Standing Height - 35" High



Model Number	Depth	Width
SSC-HTM2D-2436	22"	34"
SSC-HTM2D-2442	22"	40"
SSC-HTM2D-2448	22"	46"
SSC-HTM2D-2460	22"	58"
SSC-HTM2D-2466	22"	64"
SSC-HTM2D-2472	22"	70"

Model Number	Depth	Width
SSC-HTM2D-3036	28"	34"
SSC-HTM2D-3042	28"	40"
SSC-HTM2D-3048	28"	46"
SSC-HTM2D-3060	28"	58"
SSC-HTM2D-3066	28"	64"
SSC-HTM2D-3072	28"	70"

Mobile Table Frames with Two Drawers - Sitting Height - 29 1/8" High



Model Number	Depth	Width
SSC-STM2D-2436	22"	34"
SSC-STM2D-2442	22"	40"
SSC-STM2D-2448	22"	46"
SSC-STM2D-2460	22"	58"
SSC-STM2D-2466	22"	64"
SSC-STM2D-2472	22"	70"

Model Number	Depth	Width
SSC-STM2D-3036	28"	34"
SSC-STM2D-3042	28"	40"
SSC-STM2D-3048	28"	46"
SSC-STM2D-3060	28"	58"
SSC-STM2D-3066	28"	64"
SSC-STM2D-3072	28"	70"

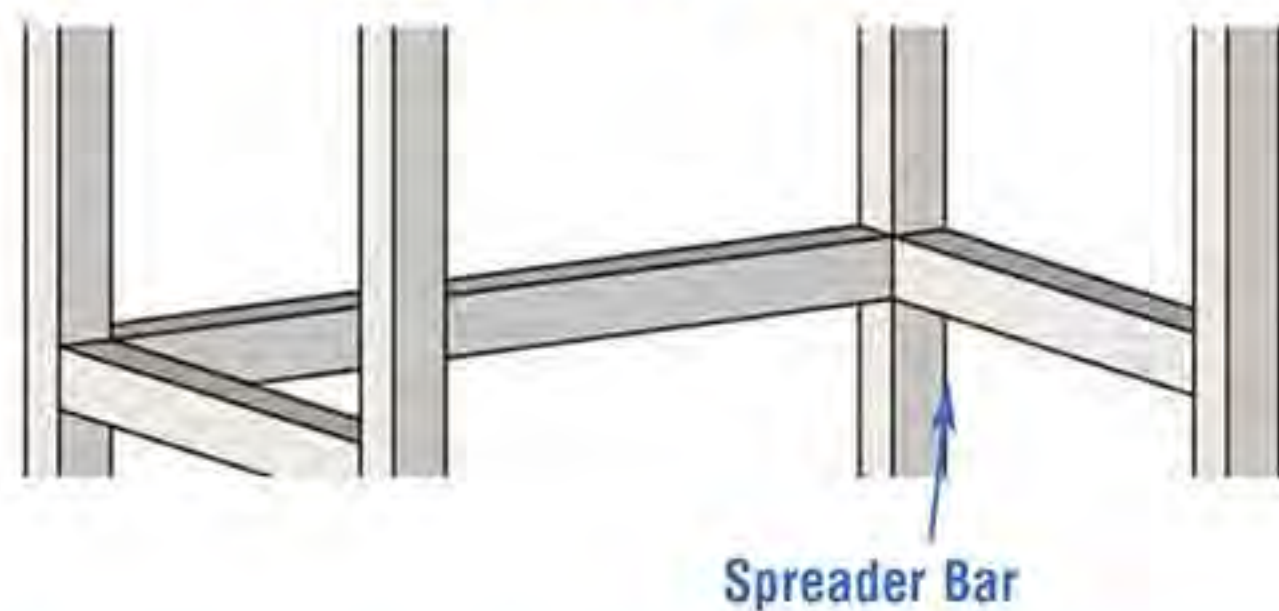
Table Frames - Mobile

Optional Stretcher Support Bar



Model Number	Width
SSC-STB-24	24"
SSC-STB-30	30"
SSC-STB-36	36"
SSC-STB-42	42"
SSC-STB-48	48"
SSC-STB-60	60"
SSC-STB-66	66"
SSC-STB-72	72"

Optional Spreader Bar



Model Number	Width
SSC-SPB-24	24"
SSC-SPB-30	30"
SSC-SPB-36	36"
SSC-SPB-42	42"
SSC-SPB-48	48"
SSC-SPB-60	60"
SSC-SPB-66	66"
SSC-SPB-72	72"

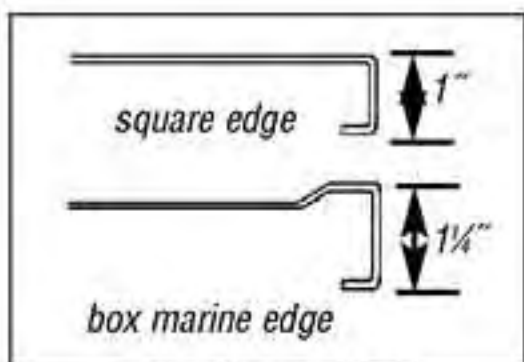
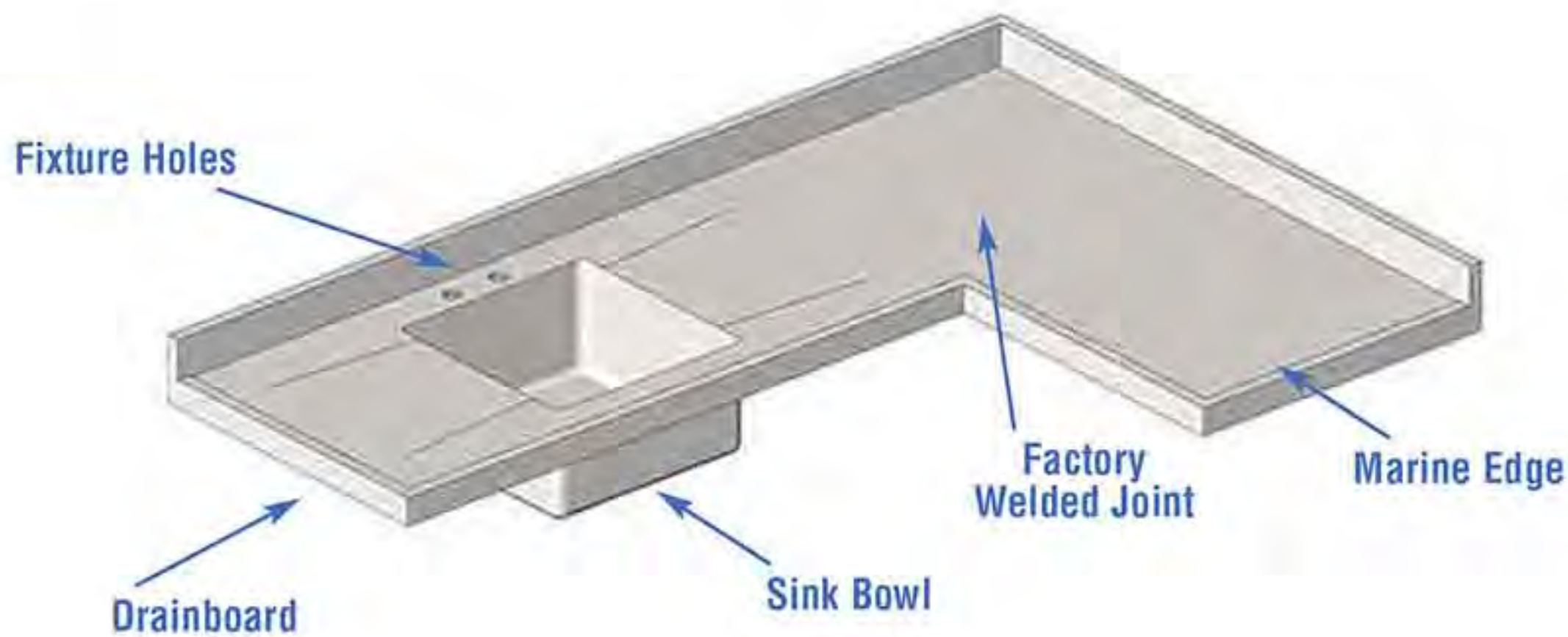
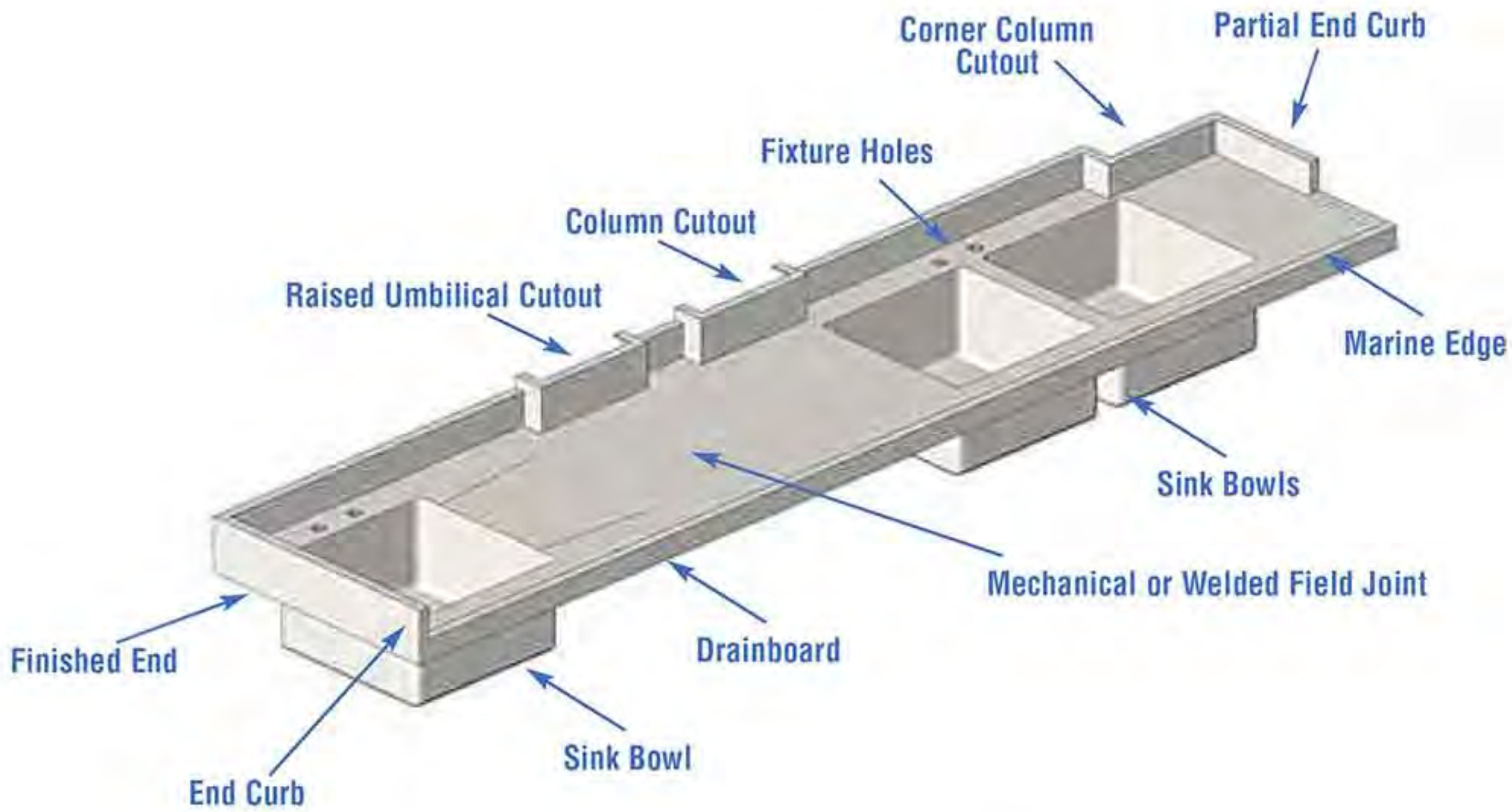
Stainless Steel Countertops

- 16 or 14 gauge, type 304 or 316 stainless steel. Other gauges and types of stainless available to meet the function and chemical resistant demands of highly specialized labs.
- Standard front edge Square or Box Marine, unless otherwise specified. See *detail 1*.
- Back and end splashes are manufactured per specification. See *detail 2 & 3*. All working surfaces and sink bowls have coved sanitary horizontal and vertical corners.
- Either a mechanical hairline seam or field welded joint available per your specifications.
Maximum length without seam is 144" if no end splash. Length is reduced by 5½" for each end splash that may be required.
- Fabricated sink bowls available in most any size and depth with single or multiple compartments.
- For backsplash mounted faucets, splash will need to be at least 2" deep for plumbing access, holes for deck mounted faucets are typically centered 1½" from the edge of sink bowl.
- Both L-shaped and U-shaped tops are available per your drawings.
 - Corners are mitered and factory welded.
 - Maximum size without field joint provisions is 96" x 96" to fit into standard trailer for ground shipment.
- Countertops have stainless steel reinforcing hat channels. Sound deadening tape is factory installed. Top support options include National Sanitation Foundation (NSF)-listed sprayed latex sound deadening and marine grade plywood backing with white laminate facing.
- Standard packaging is wood reinforced cardboard and is included in the cost. Should full crating be required, it too will be included in the cost.

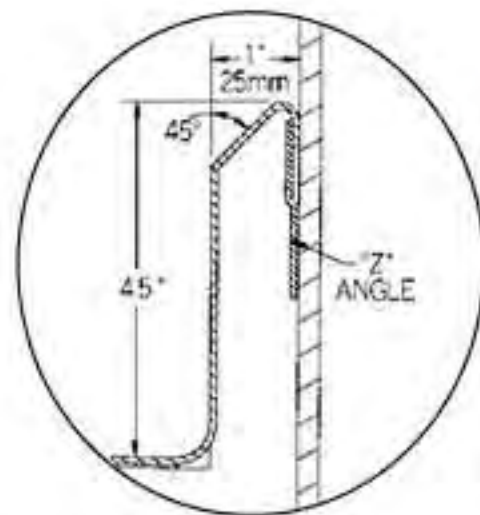


stainless steel countertops fabricated to drawings indicating backsplash height, raised edge and field condition requirements

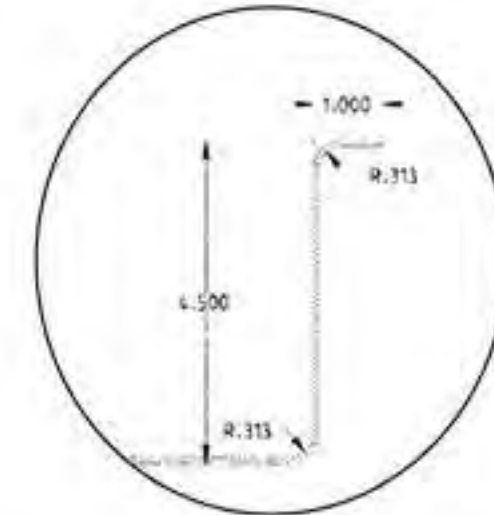
Stainless Steel Countertops



detail 1: edges



detail 2:
example of a 4 1/2" backsplash with 45° return
(backsplash built to specification)



detail 3:
example of a 4 1/2" backsplash with 90° return
(backsplash built to specification)

NOTE: – Drawings to be submitted for approval prior to fabrication using the latest version of AutoCad software. They will be emailed in Adobe Acrobat format (.pdf) unless specified otherwise. AutoCad files (.dwg) are available upon request.
– Complete field welding and finishing services are available at additional expense.

Custom Equipment Manufactured to Your Specifications!

CUSTOM APPLICATIONS COMPRISED OF SPECIALLY FABRICATED, STAINLESS STEEL EQUIPMENT OR PRE-FAB MODULAR COMPONENTS, OR A COMBINATION OF BOTH, WORK THEIR WAY QUICKLY THROUGH A SIMPLE YET SOPHISTICATED DESIGN, APPROVAL AND FABRICATION PROCESS. EQUIPMENT BUILT TO YOUR EXACT SPECIFICATIONS, PRE-WIRED AND PRE-PLUMBED (IF APPLICABLE), IS SHIPPED WITH SHORTER LEAD TIMES AND AT A LOWER OVERALL COST.

Manufacturing Capabilities:

- Engineering and design assistance.
- Room layouts provided.
- Standard and custom built stainless products.
- Small to large order capacities.
- Designed and built to industry standards.
- Quality controlled throughout process.
- In-house equipment capabilities and standard products provide *economical* solutions.
- Electropolishing services.



Design Services for Carts, Work Flow, and Room Layouts

Shelf-Select™

A no-cost design and layout service for wire shelving products.

Provide us with...

- Dimensions of the space available
- Number of shelves required per unit
- Post heights
- Indicate stationary, mobile or high-density
- Any additional pertinent storage requirements

And we'll provide you with...

• Plan View

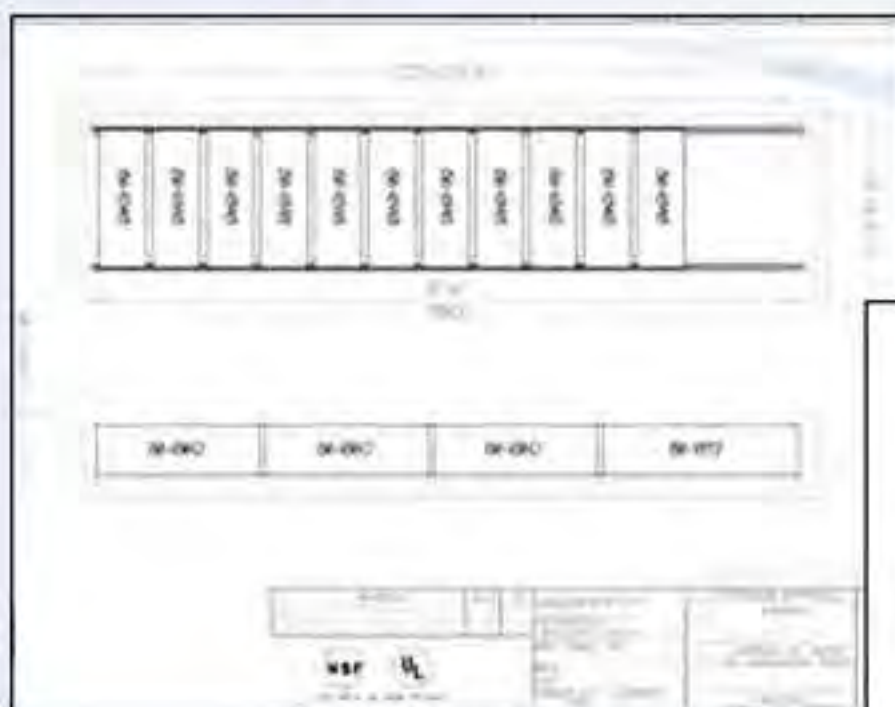
Shelving systems layout makes the most efficient utilization of your available space.

• Perspective View

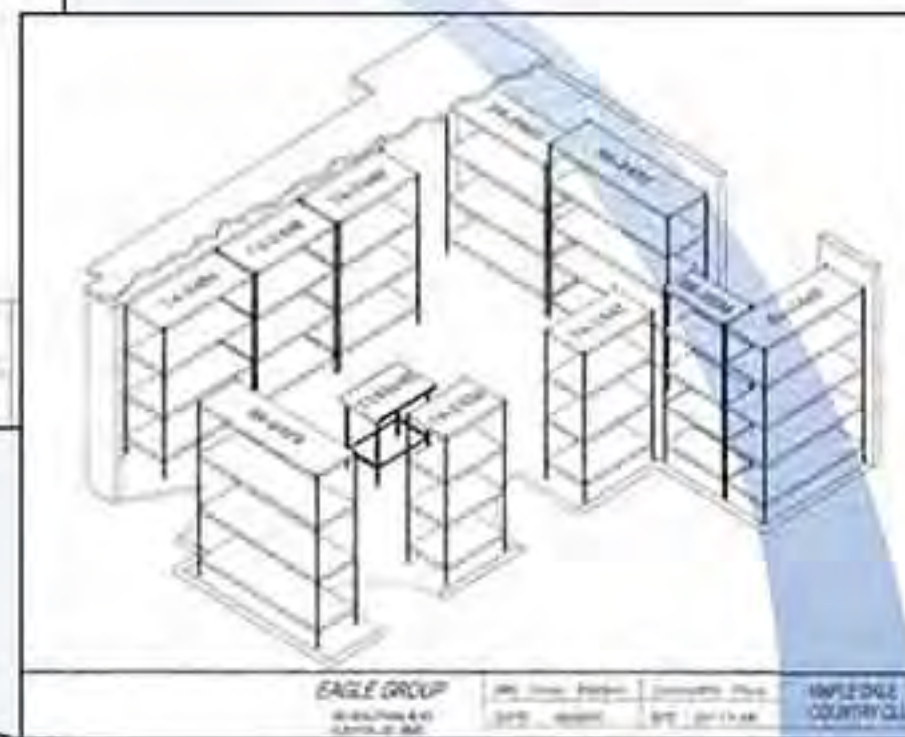
Illustrates the proposed equipment assembled in the available space. A great tool for presentation which reduces field assembly time provided to your installer.

• Quote

Includes model numbers, net prices and shipping weights for all components in specified job.



plan view



perspective view



quote



Although every attempt has been made to ensure the accuracy of the data in this publication, we cannot be responsible for printing or typographical errors or omissions.



Life Science
Products



Vertical Storage Cabinets ^(NSF)

see spec sheet **EG04.11**



vertical storage cabinet with flat top

- 18 gauge type 430 stainless steel cabinet body.
- Shelves adjustable on 4" (102mm) vertical centers.
- Double pan 20 gauge stainless steel hinged doors.
- Transverse rod handles featuring keyed locks.

URES:

Note: Factory-installed 5" (127mm) plate casters with brake available.

If multiple cabinets are ordered at the same time, they will all be keyed the same.

Freight class is 92.5.

Optional Additional Shelves for Vertical Storage Cabinets

Freight class is 70.0

description	weight		cu ft	model #
	lbs.	kg		
fits 36" (914mm) long cabinets	25	11.3	1.5	VSC36
fits 48" (1219mm) long cabinets	30	13.6	2.0	VSC48

with Flat Top

width x length x height in. mm	cu ft	wt. cap. per shelf		UNITS WITH 3 SHELVES			UNITS WITH 4 SHELVES		
		lbs.	kg	weight lbs. kg	model #	weight lbs. kg	model #		
24" x 36" x 72" 610 x 914 x 1829	53	150	68.0	413	187.3	VSC2436-3	416	188.7	VSC2436-4
24" x 48" x 72" 610 x 1219 x 1829	68	200	90.7	485	220.2	VSC2448-3	490	222.3	VSC2448-4

with Slanted Top

width x length x height in. mm	cu ft	wt. cap. per shelf		UNITS WITH 3 SHELVES			UNITS WITH 4 SHELVES		
		lbs.	kg	weight lbs. kg	model #	weight lbs. kg	model #		
24" x 36" x 78½" 610 x 914 x 1994	53	150	68.0	416	188.7	VSCS2436-3	419	190.1	VSCS2436-4
24" x 48" x 78½" 610 x 1219 x 1994	68	200	90.7	488	221.4	VSCS2448-3	495	223.6	VSCS2448-4